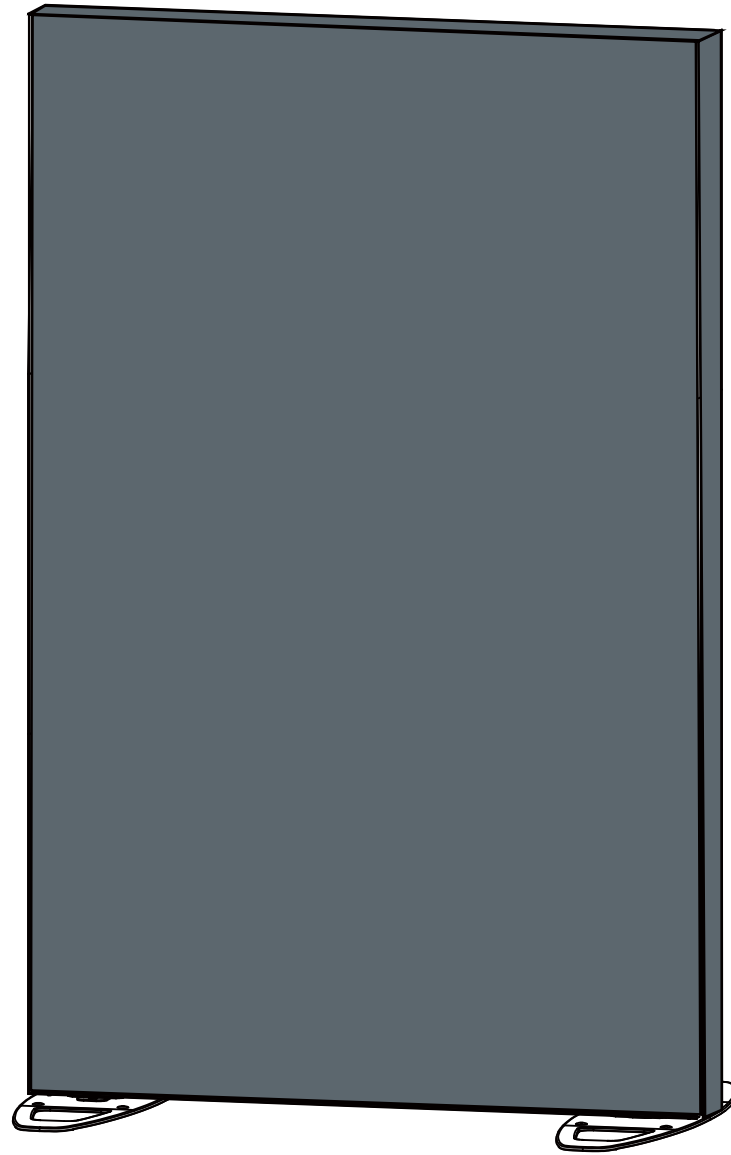
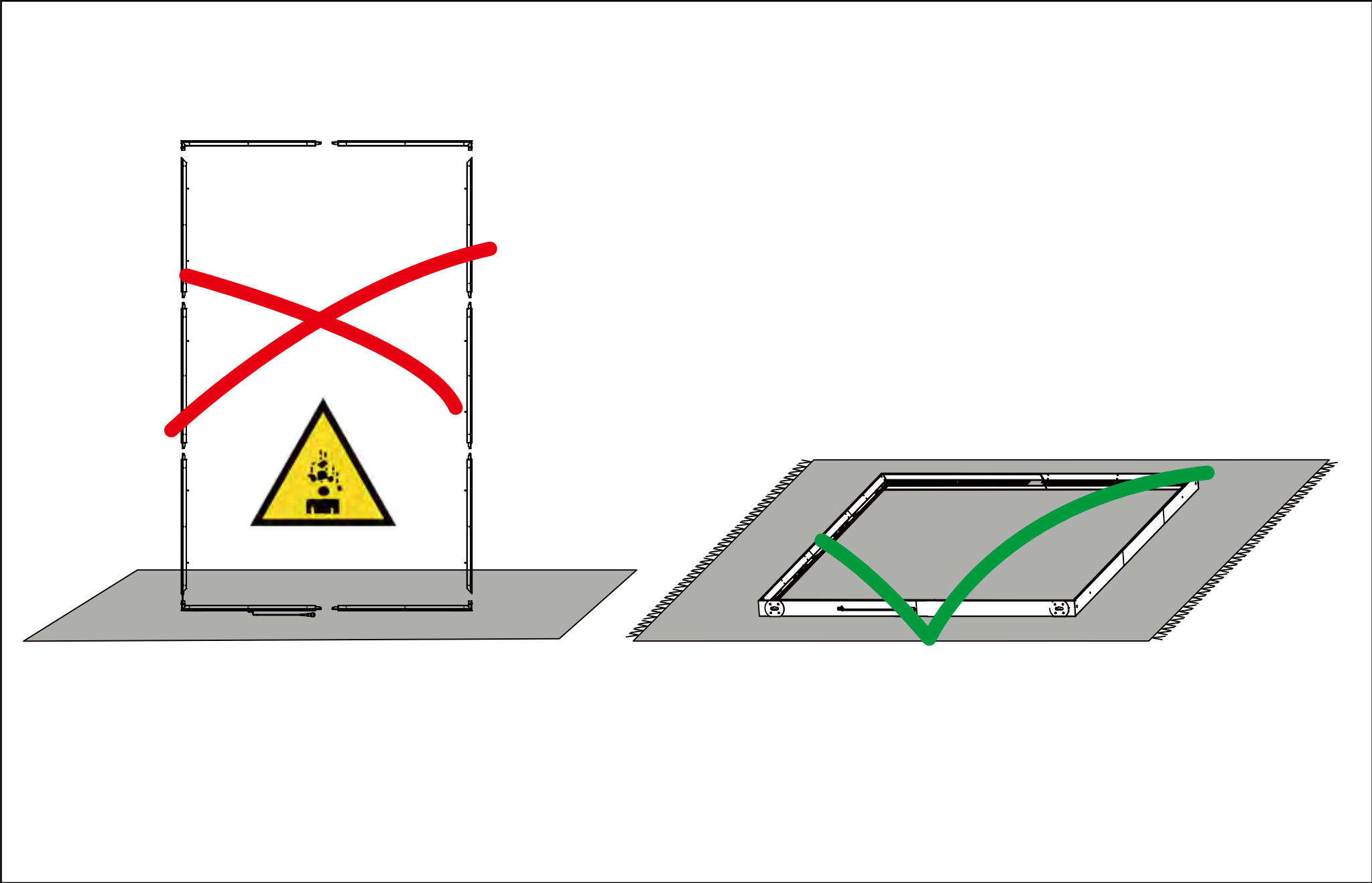


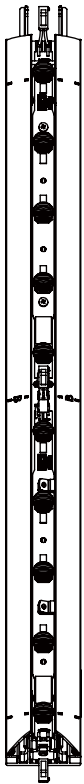
## Expand LightBox portable Set-up Instruction



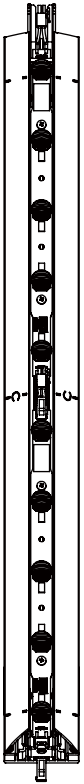
# Mounting on the ground



1.



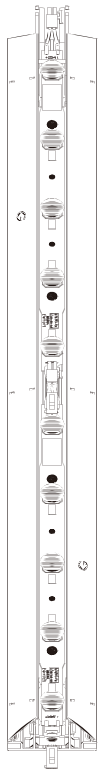
B.  
1x



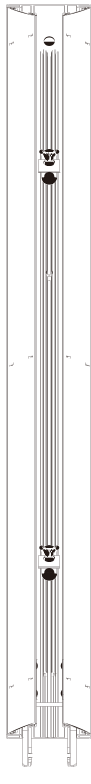
C.  
1x



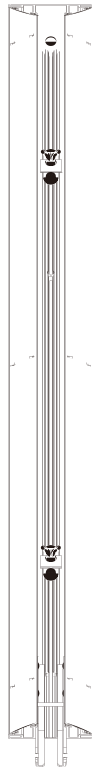
F.  
1x



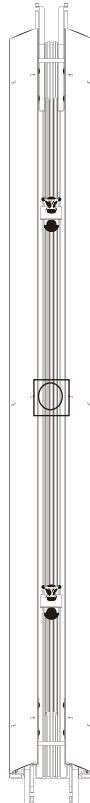
G.  
1x



D.  
2x



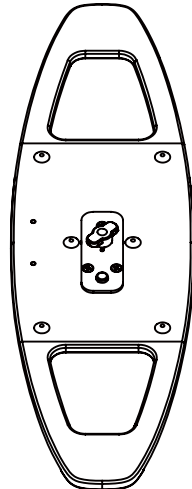
E.  
2x



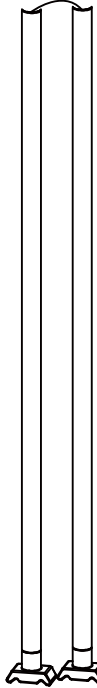
J.  
2x



1x



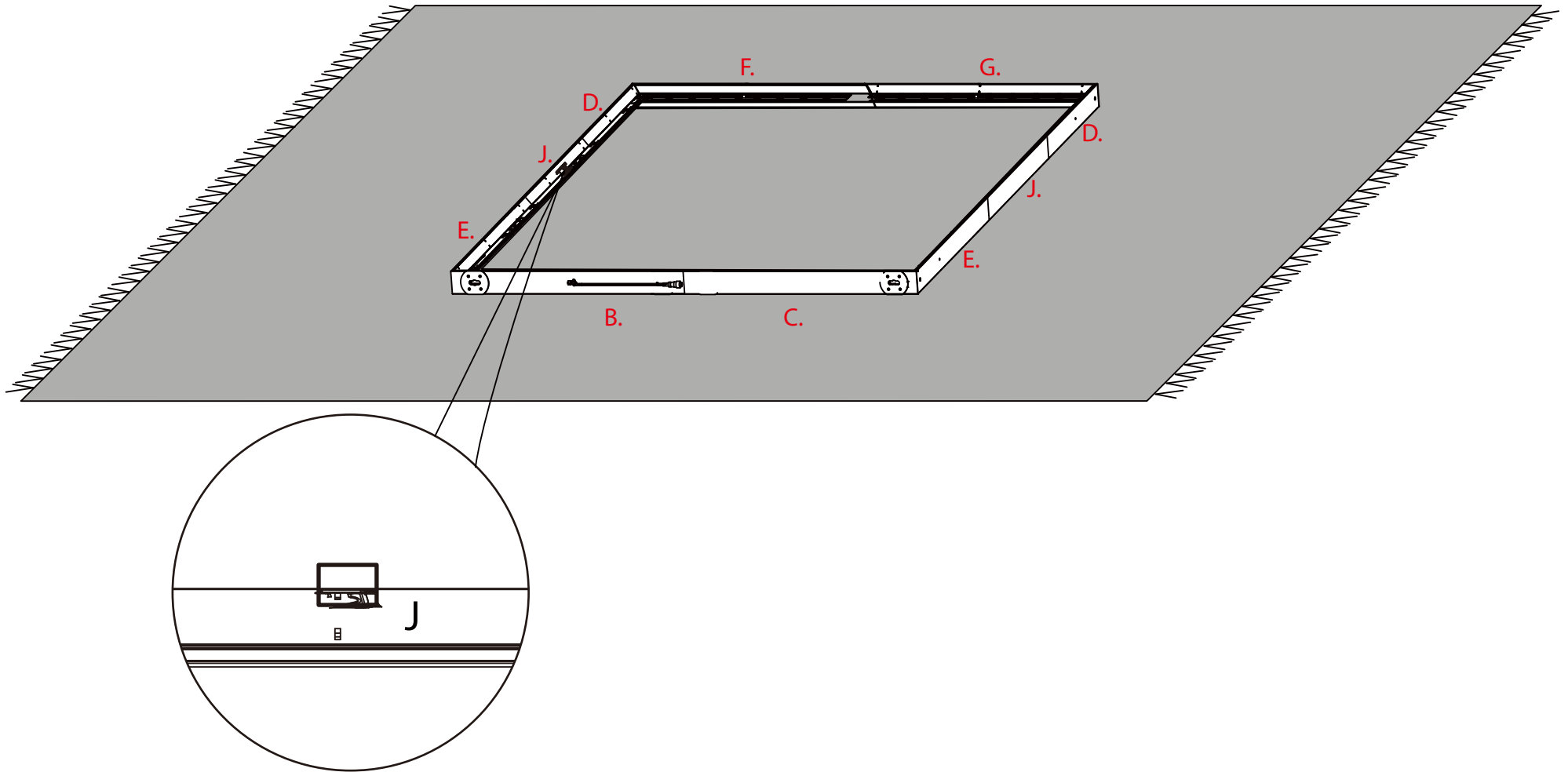
2x



1x

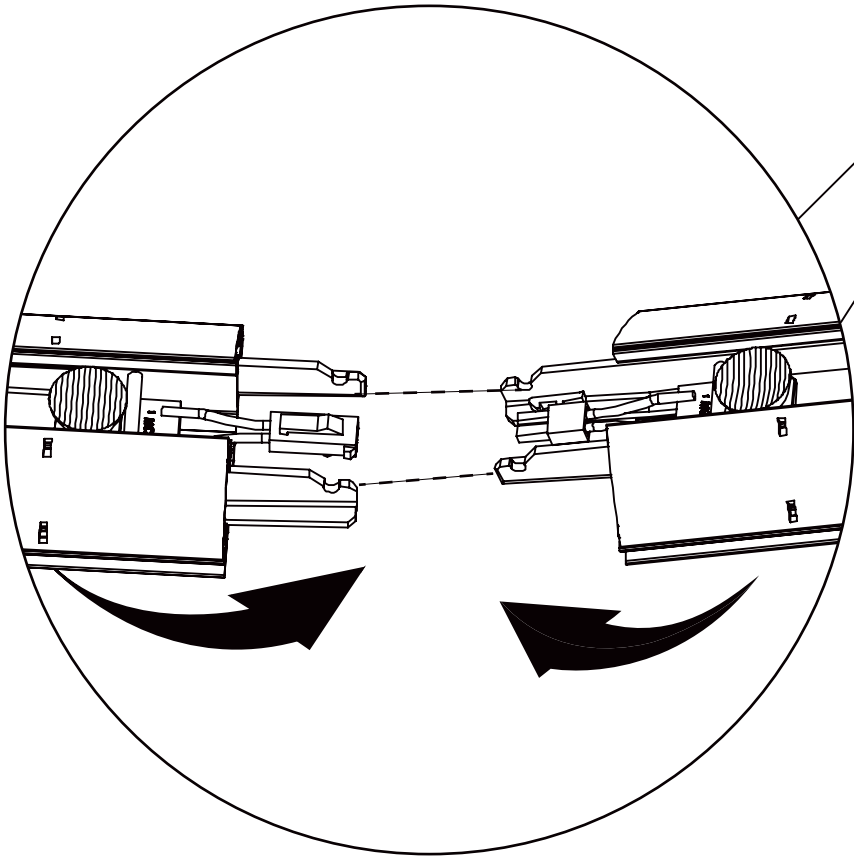
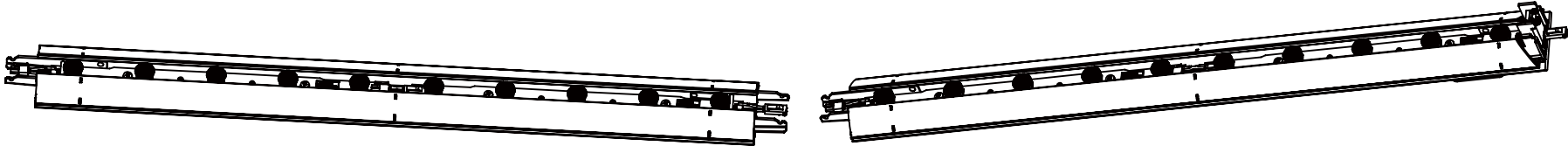
## Frames locating on the place

2.

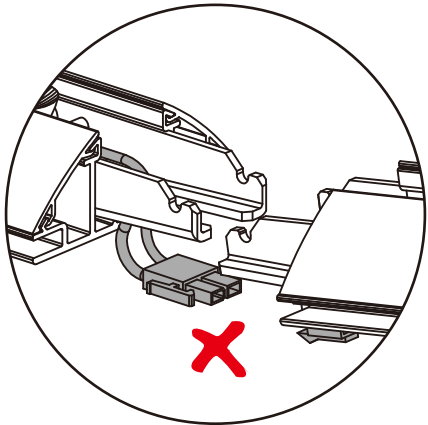
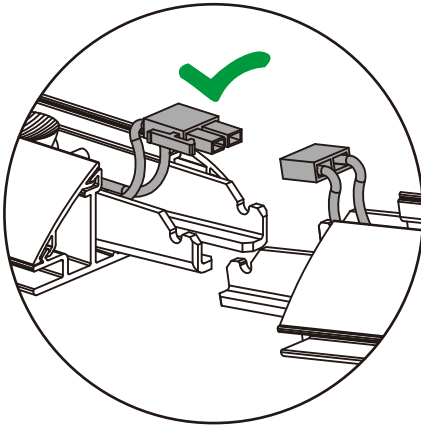


Frames mounting

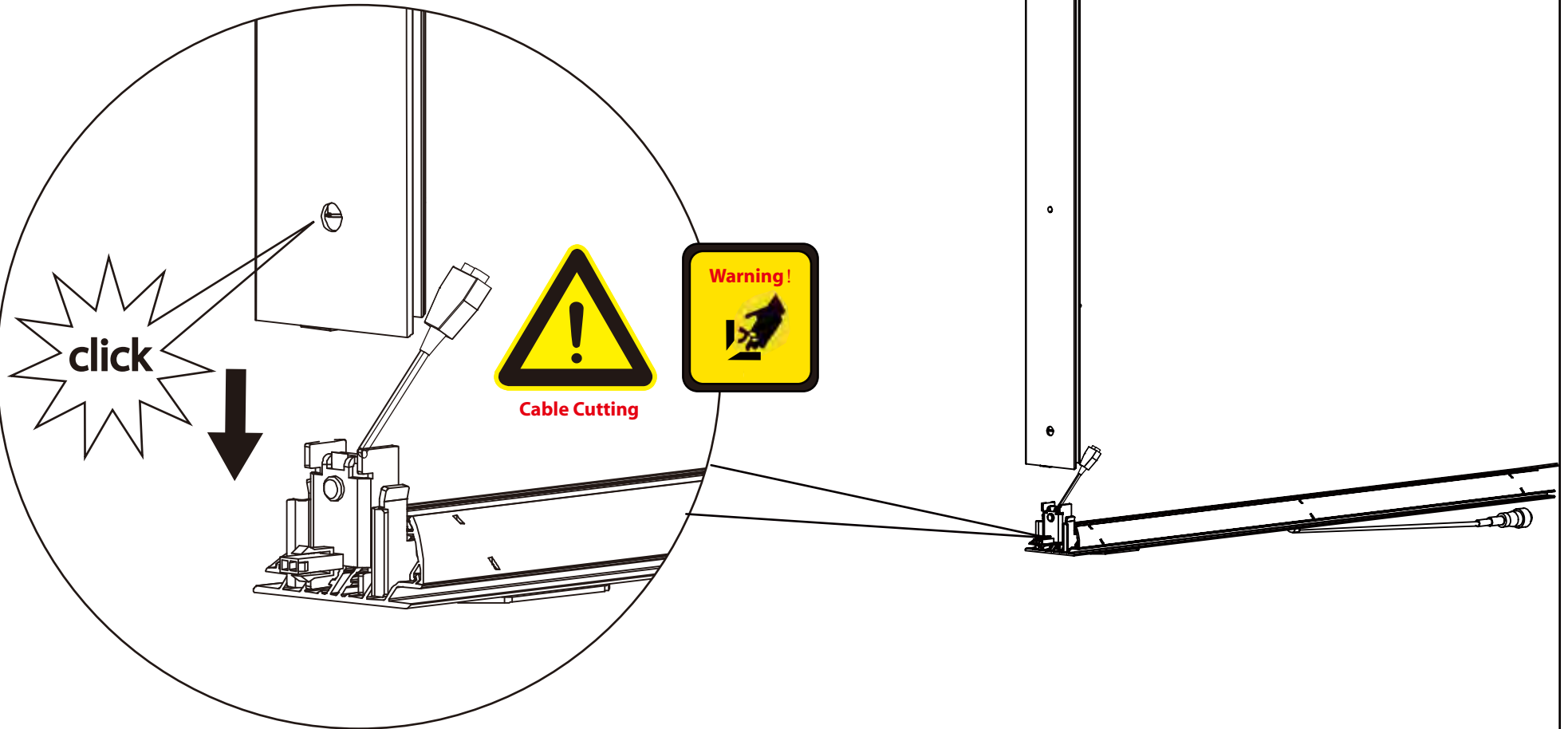
3.



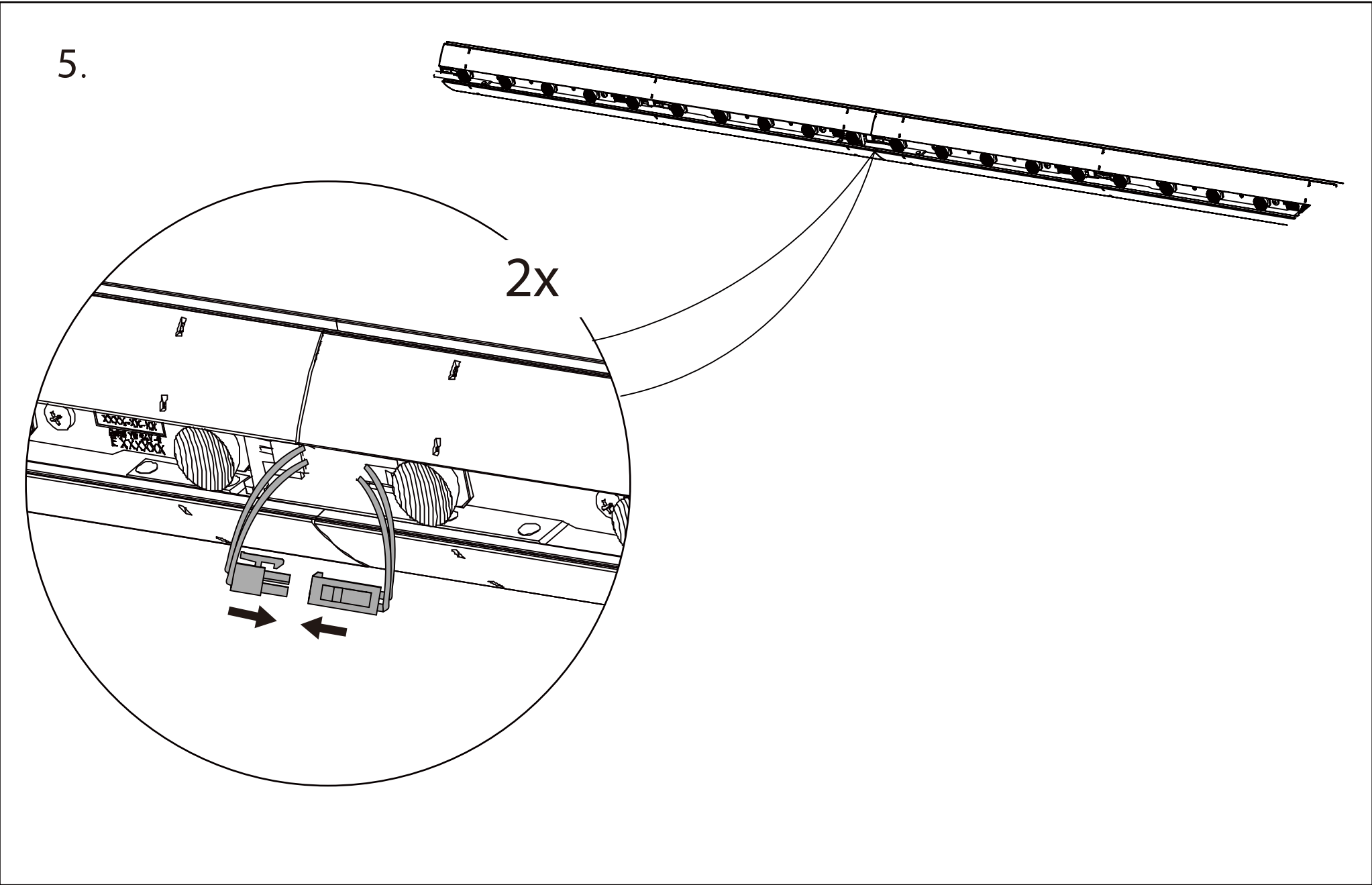
Cable Cutting



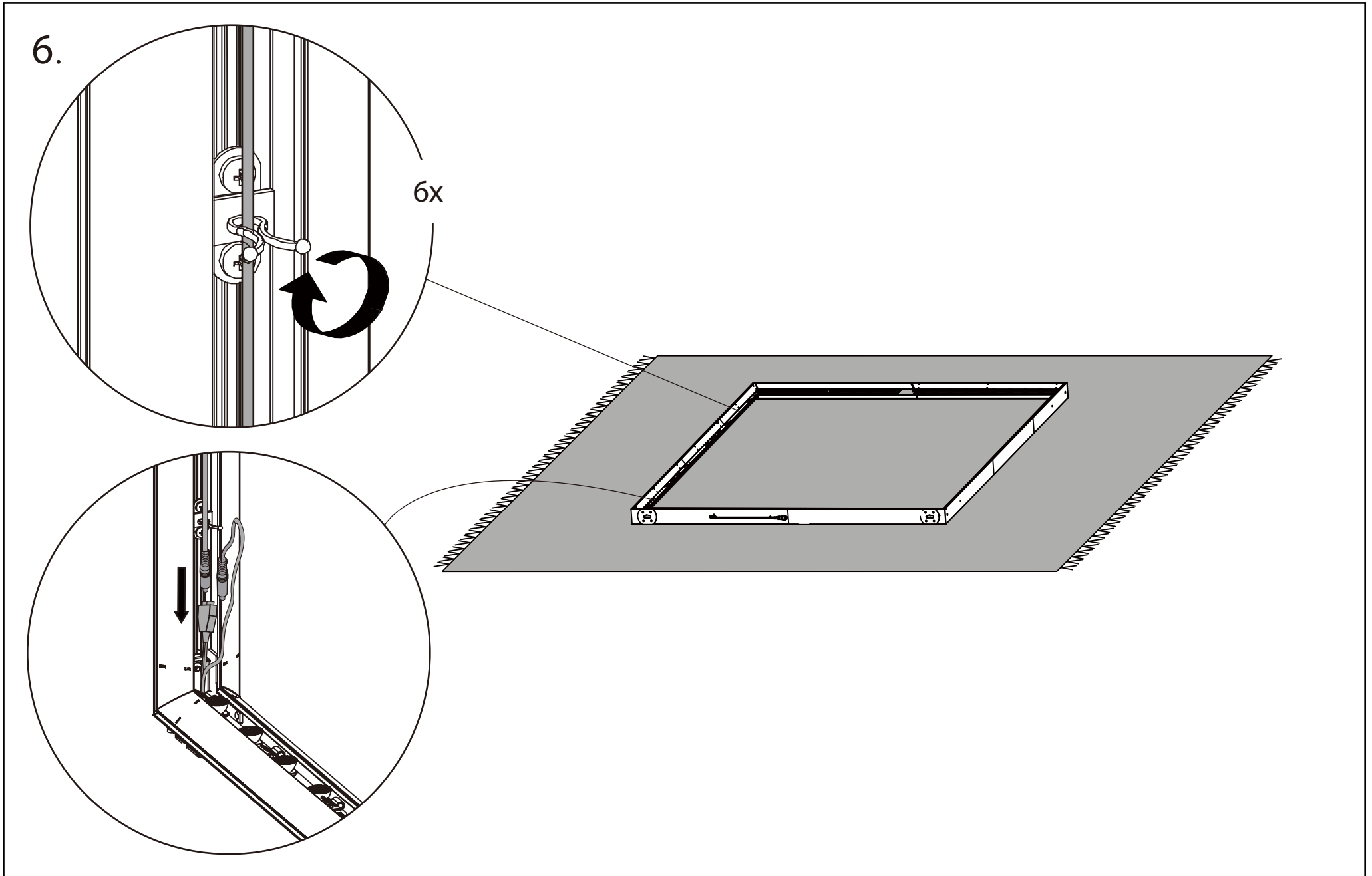
4.



Connectors mounting

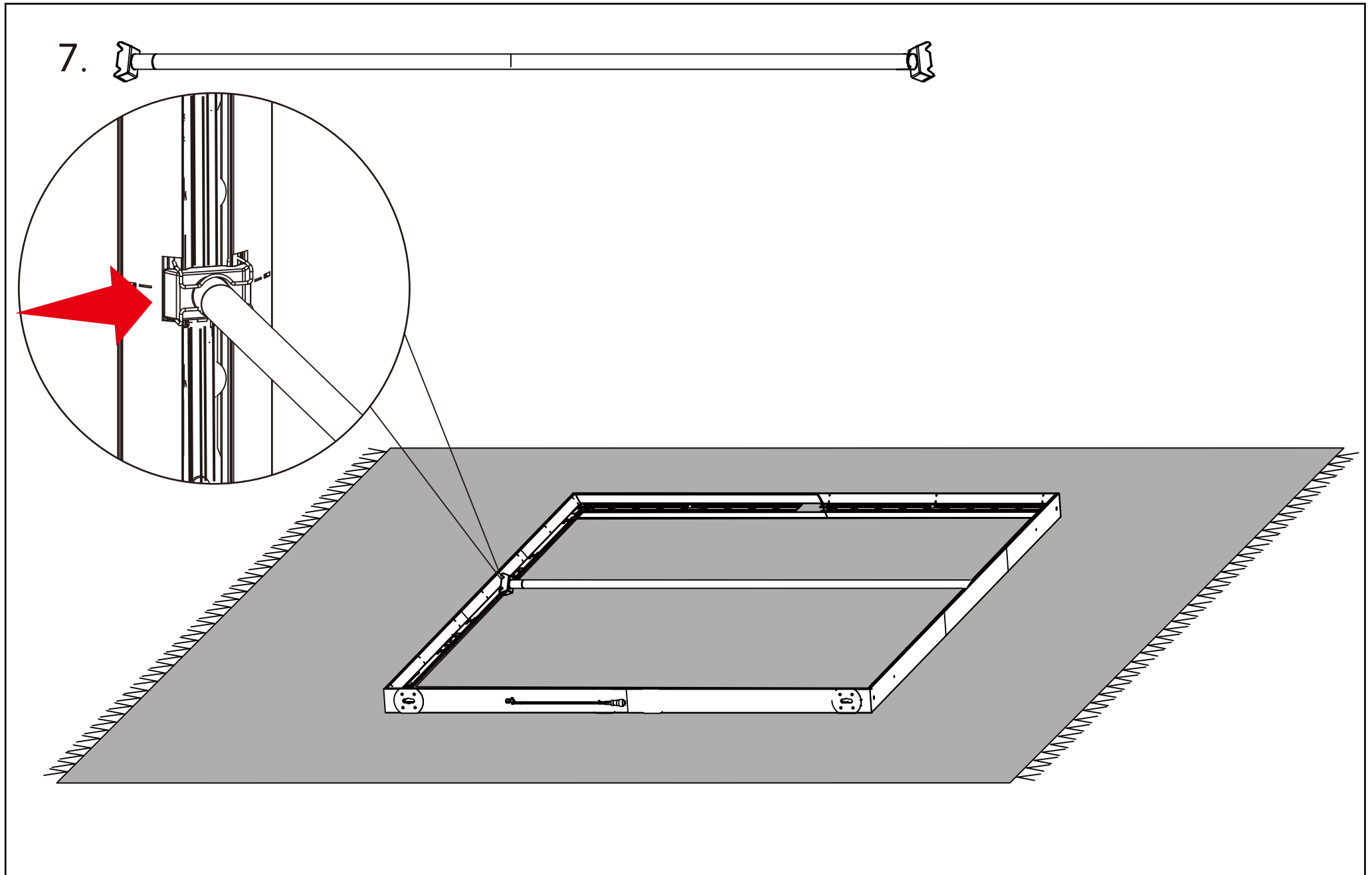


# Routing

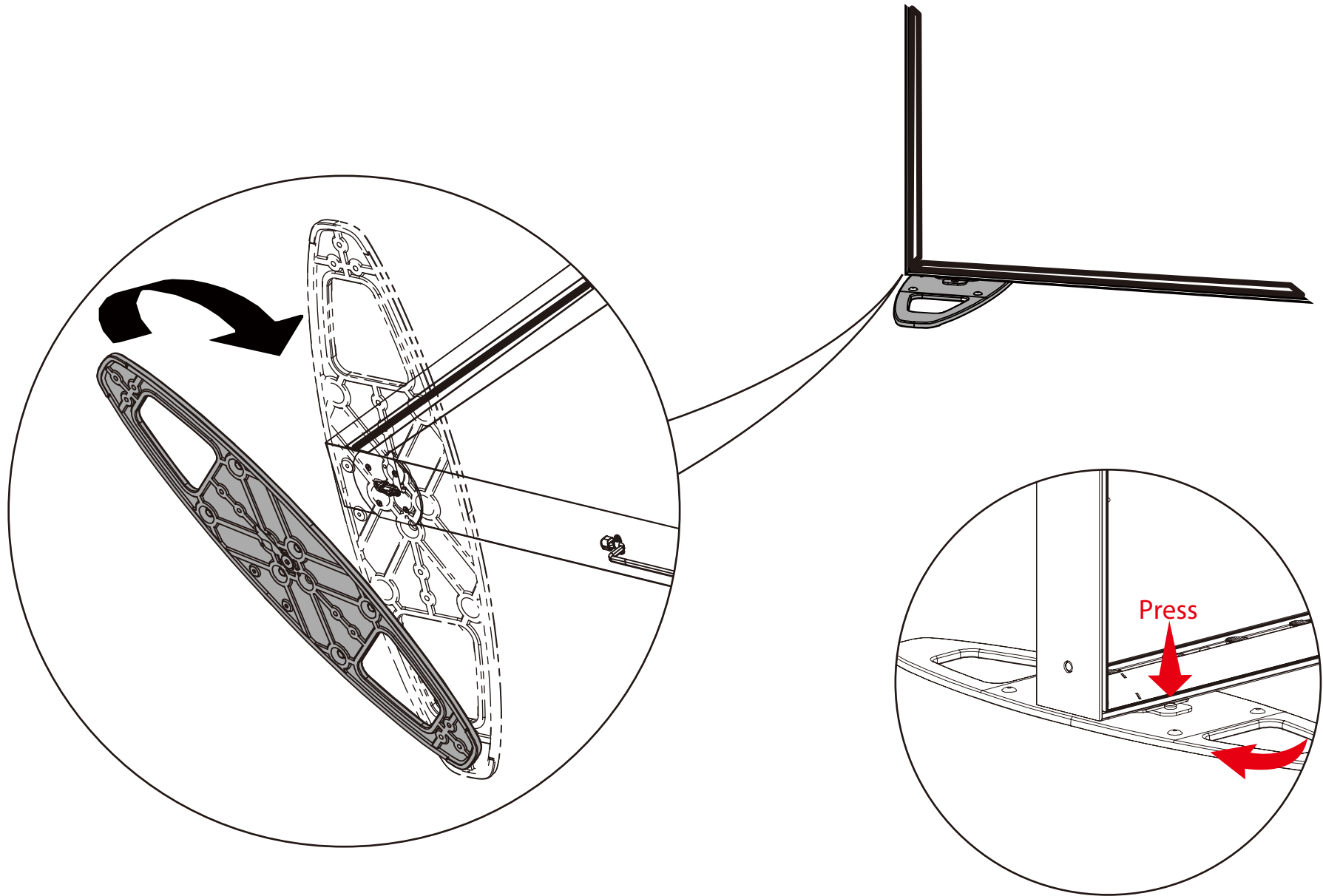




## Mounting support pole

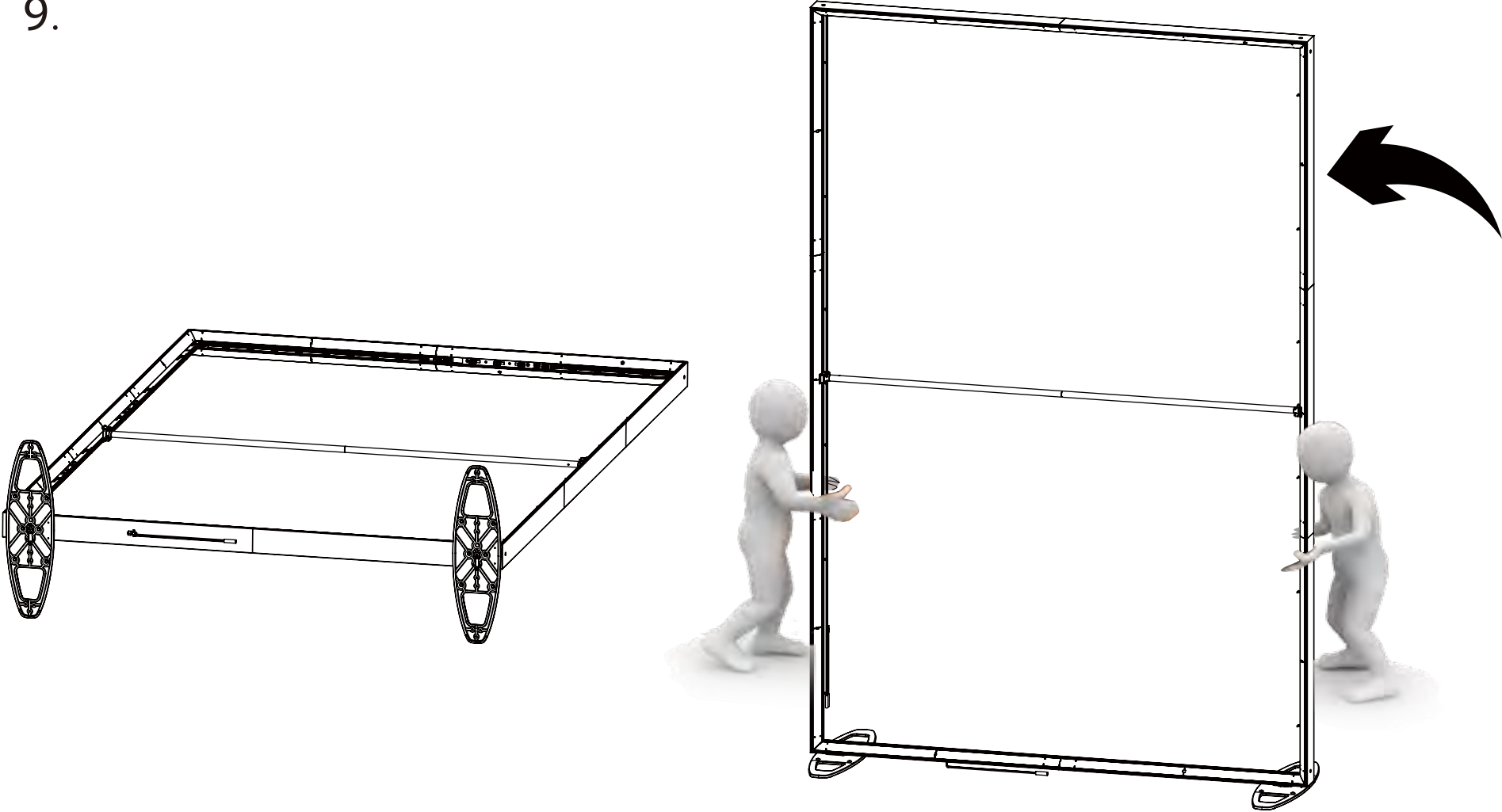


8.



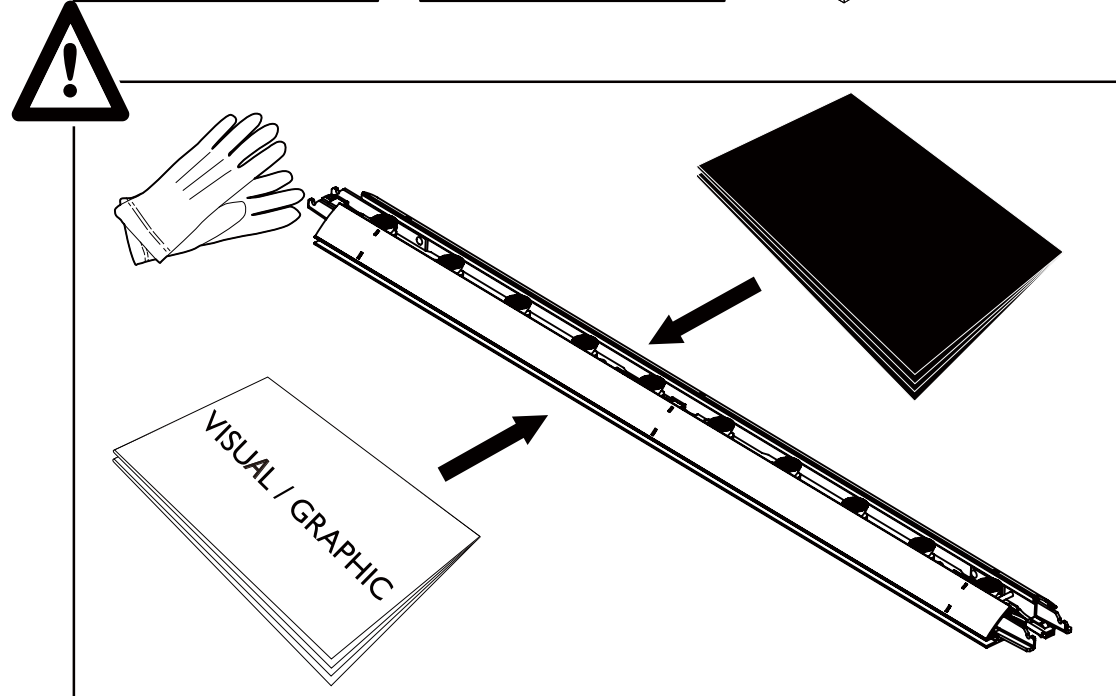
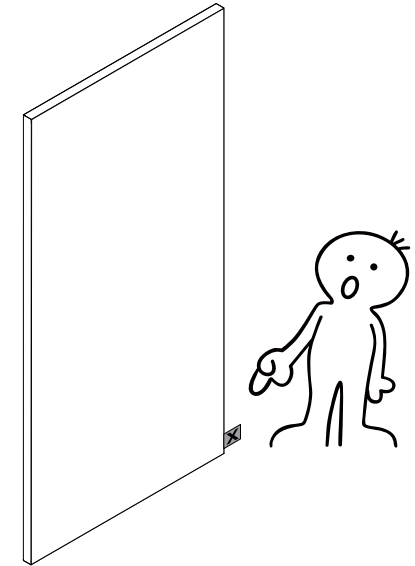
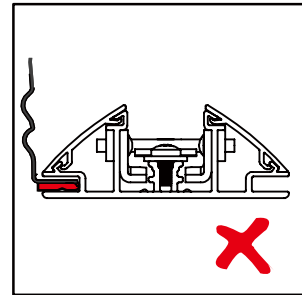
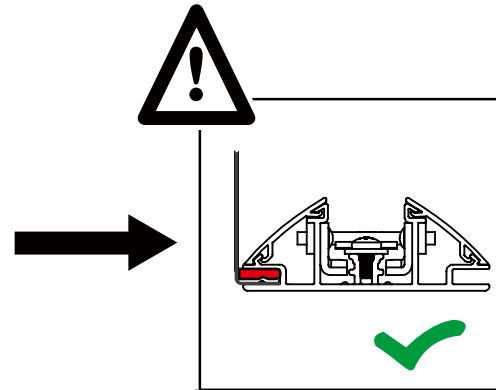
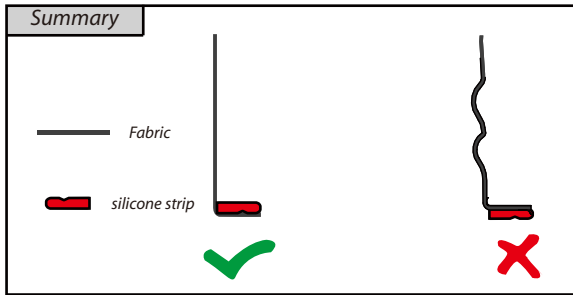
Raise the frame up

9.



# Fabric instructions

10.



11.

