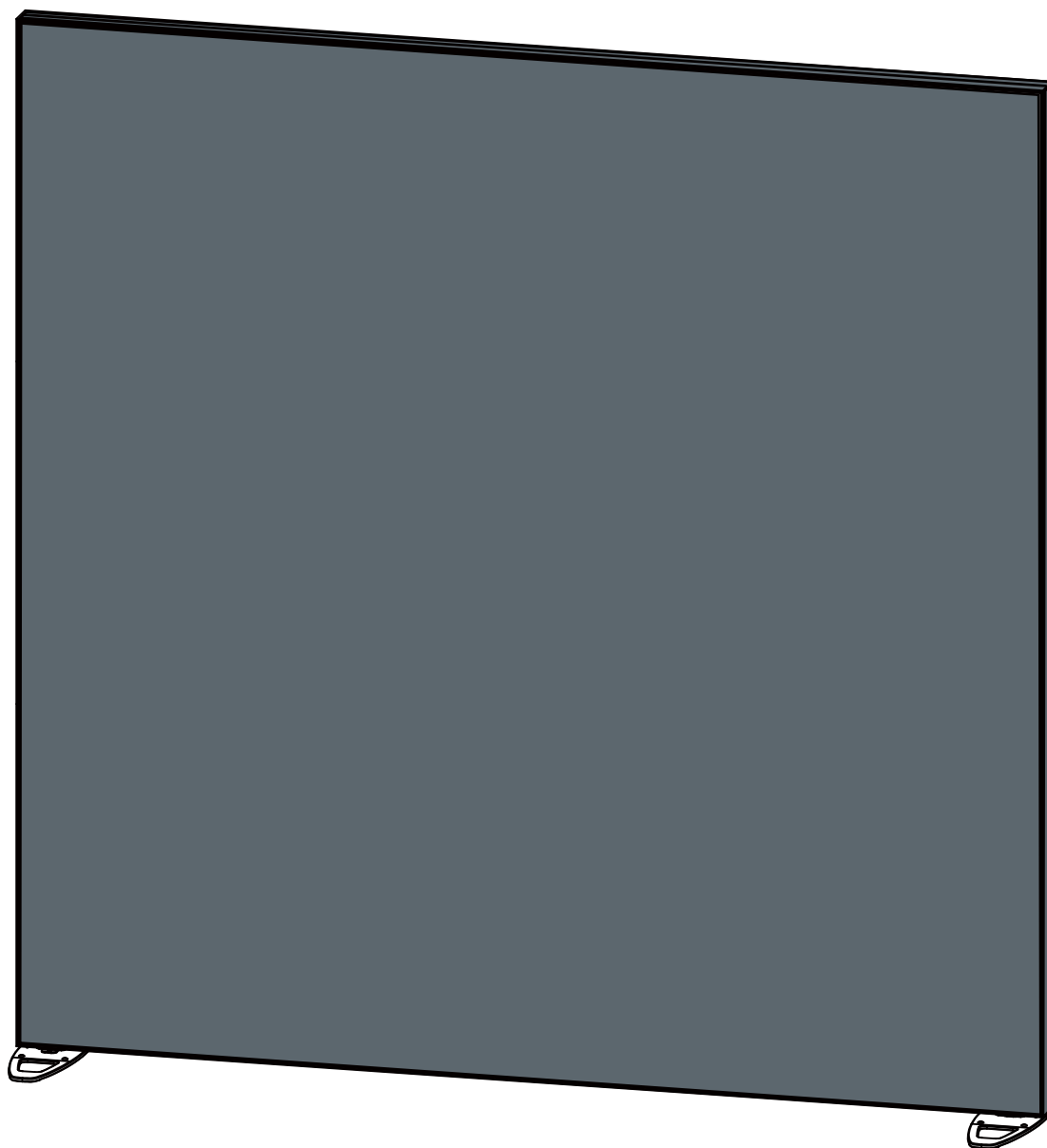
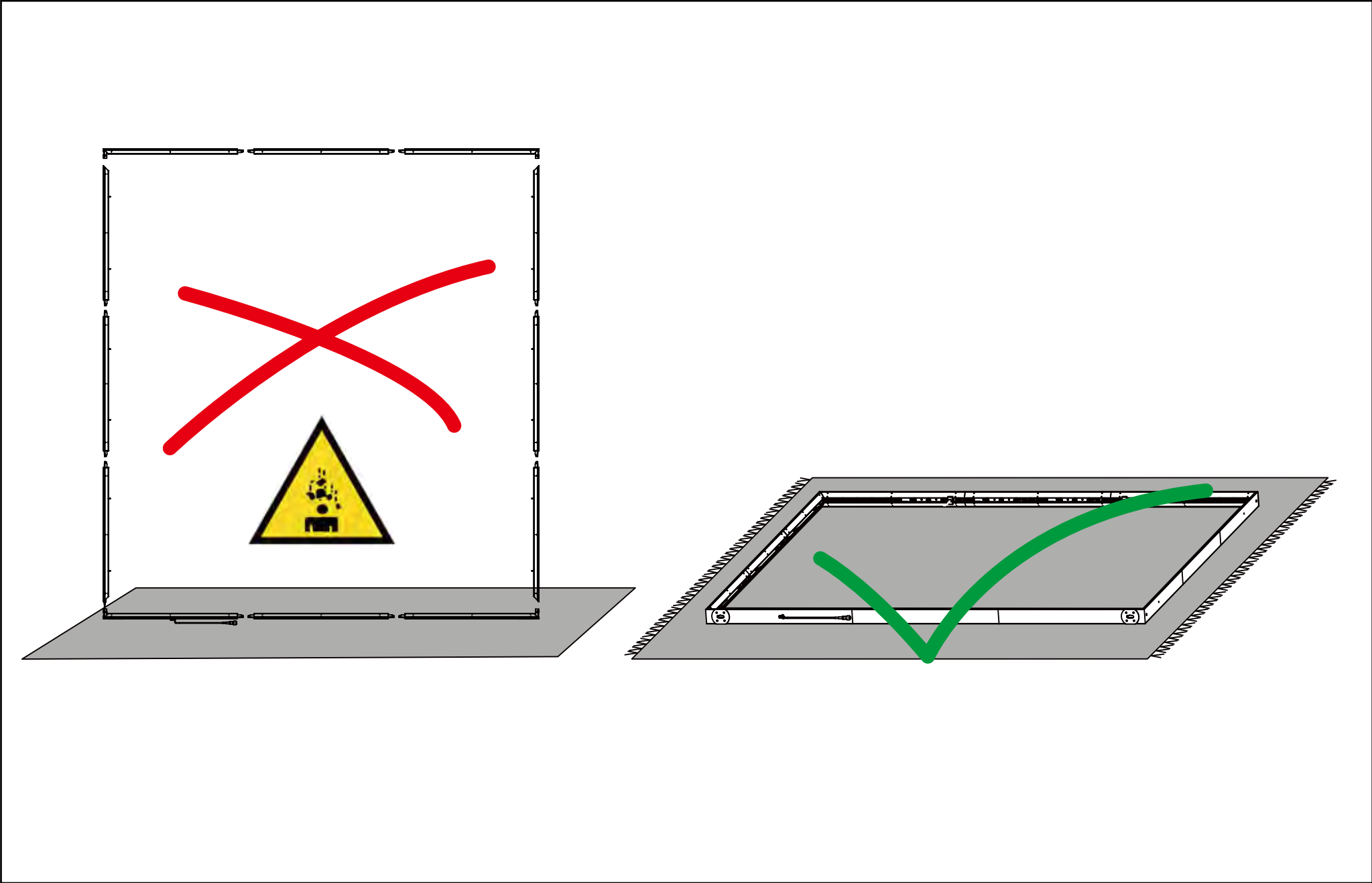


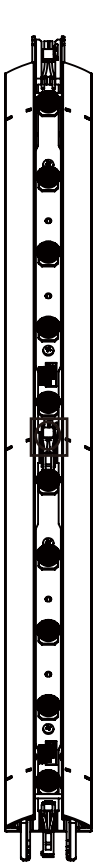
Expand LightBox portable Set-up Instruction



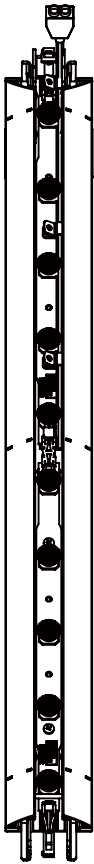
Mounting on the ground



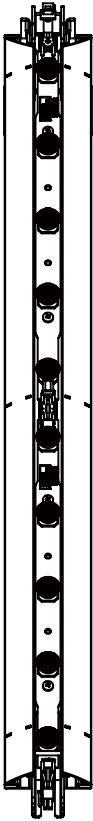
1.



I.
2x



B.
1x



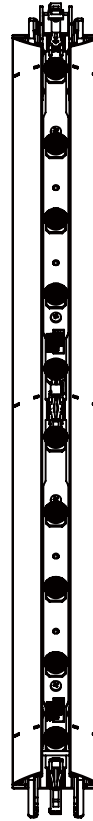
C.
1x



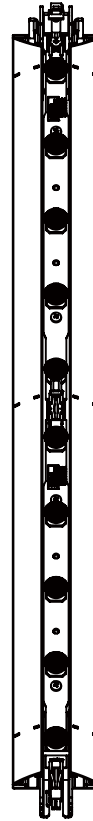
D.
2x



E.
2x



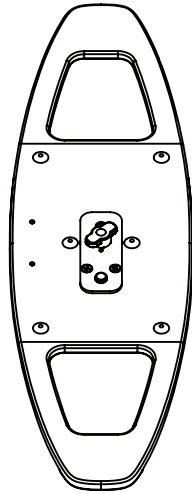
F.
1x



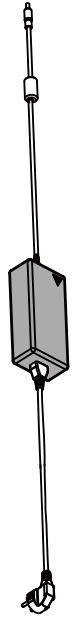
G.
1x



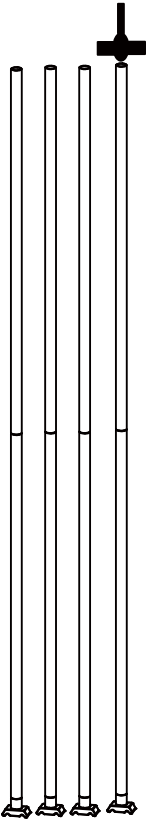
J.
2x



2x



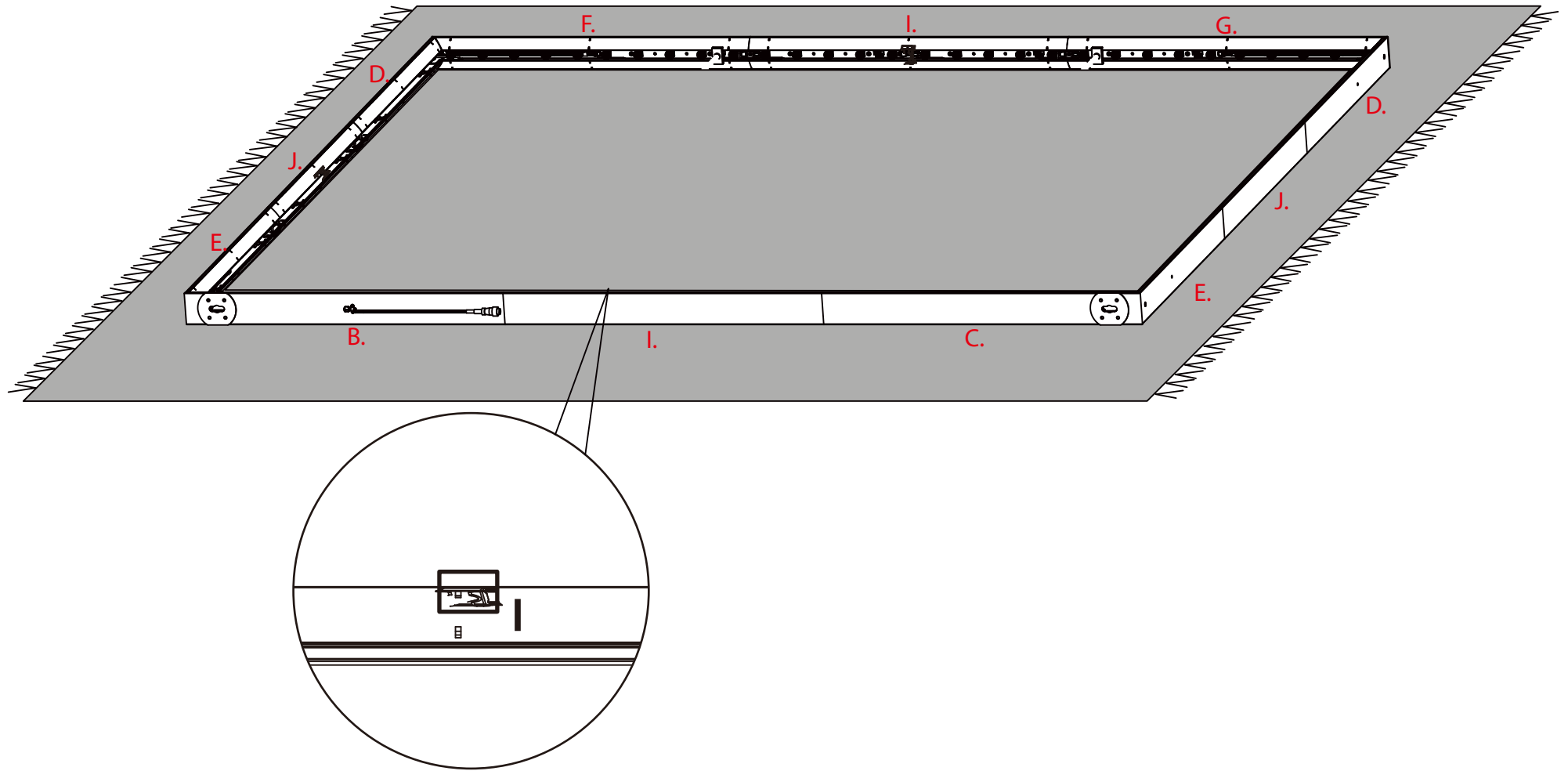
1x



1x

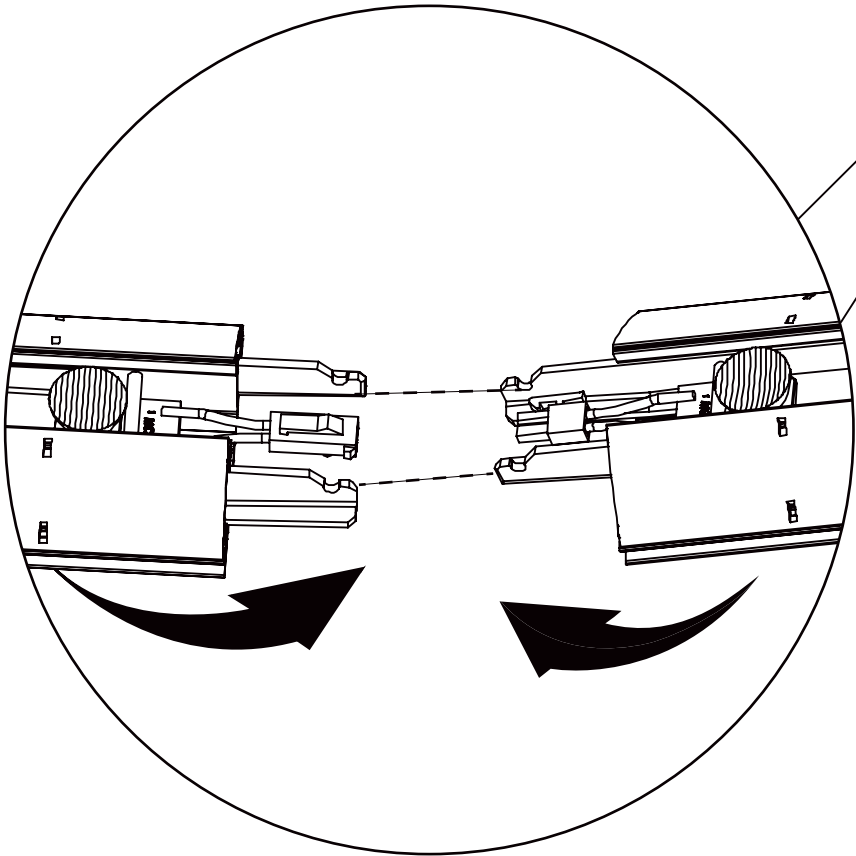
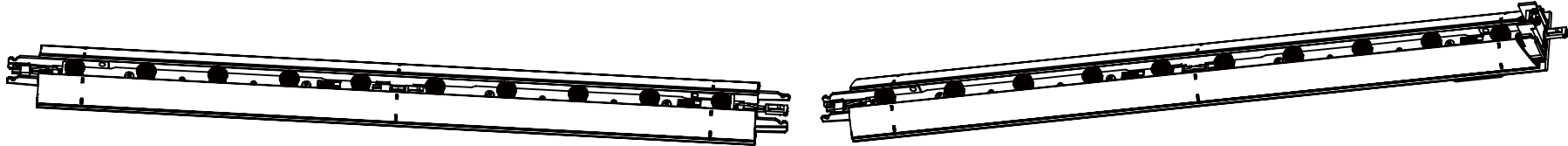
Frames locating on the place

2.

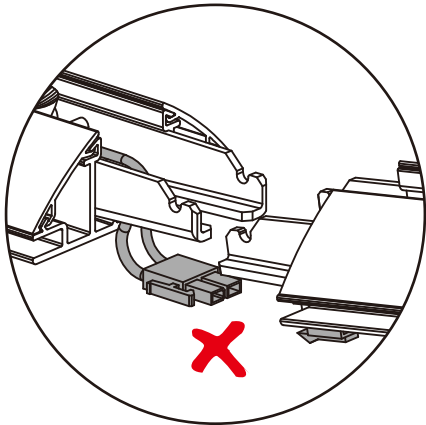
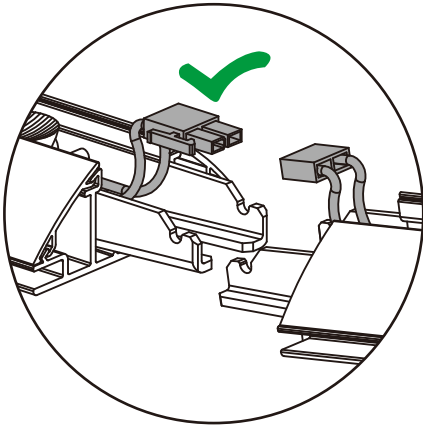


Frames mounting

3.

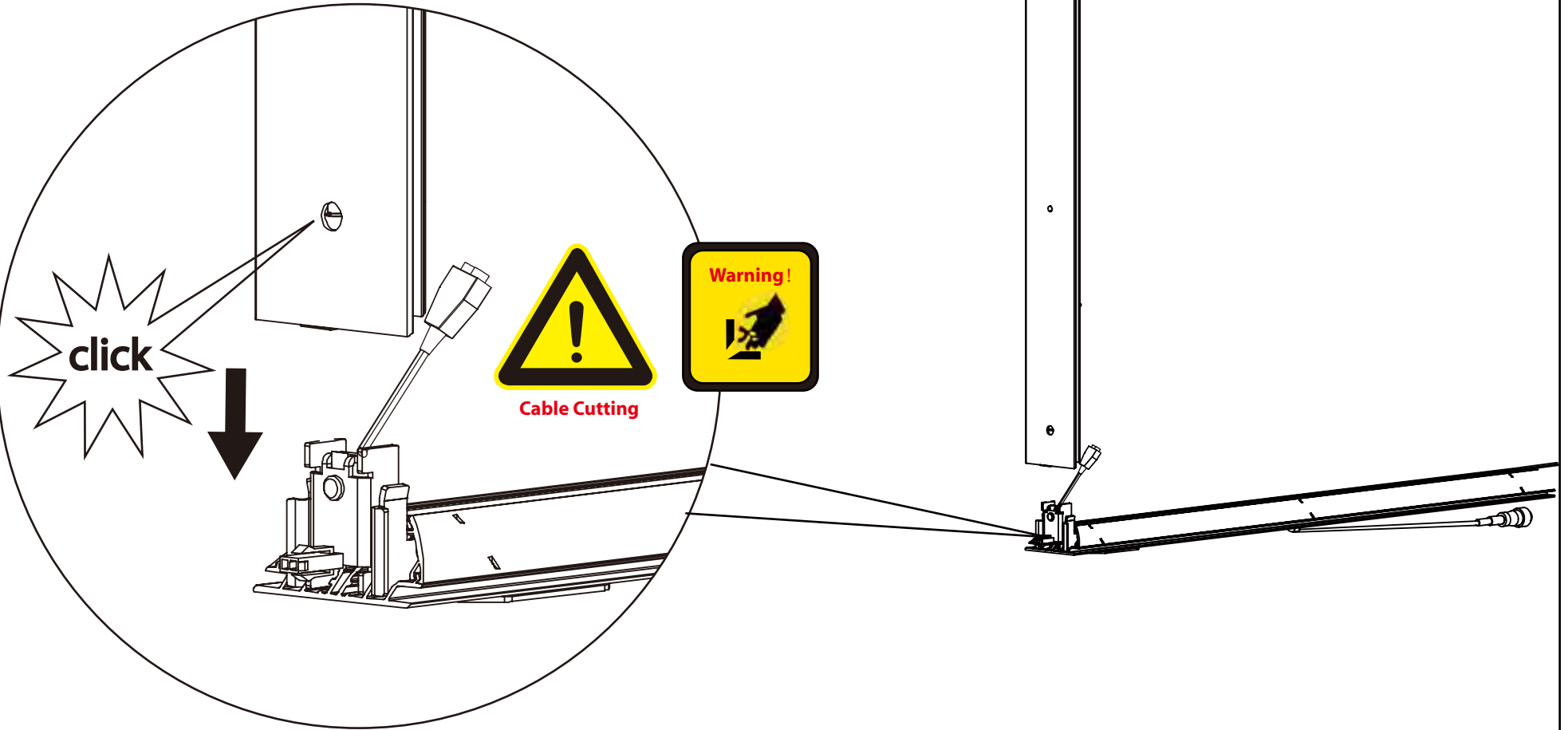


Cable Cutting

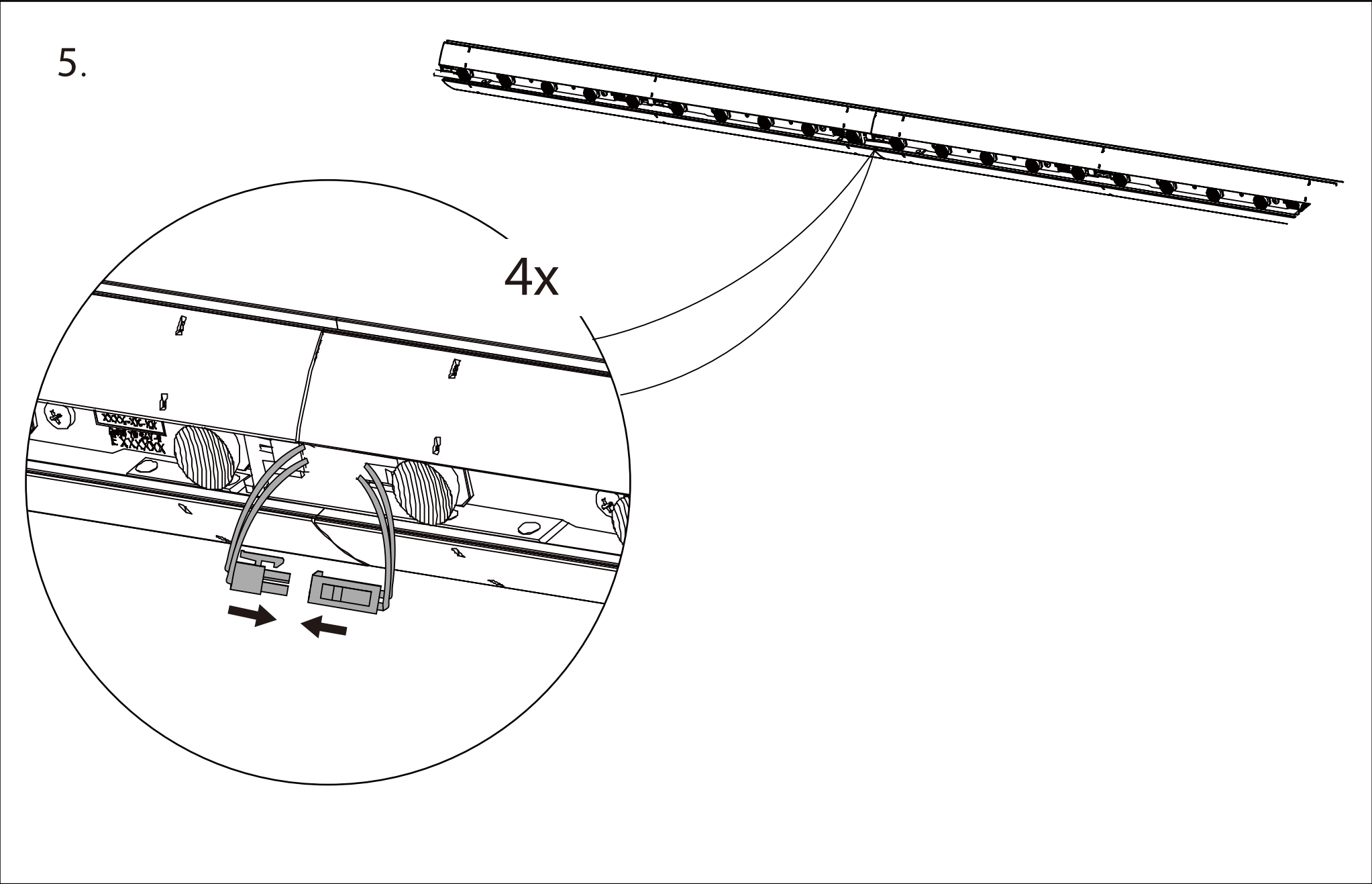


Frames mounting

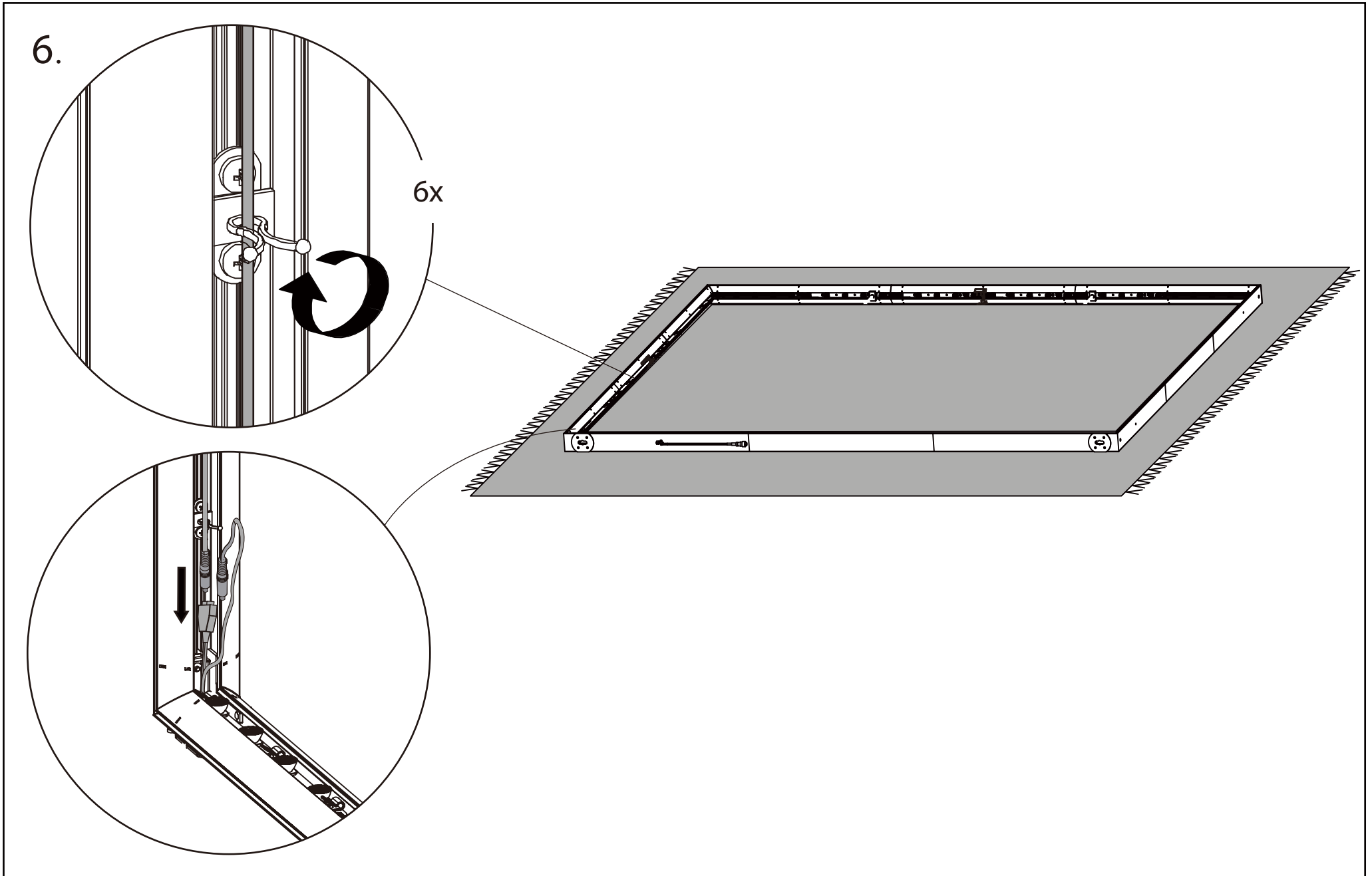
4.



Connectors mounting

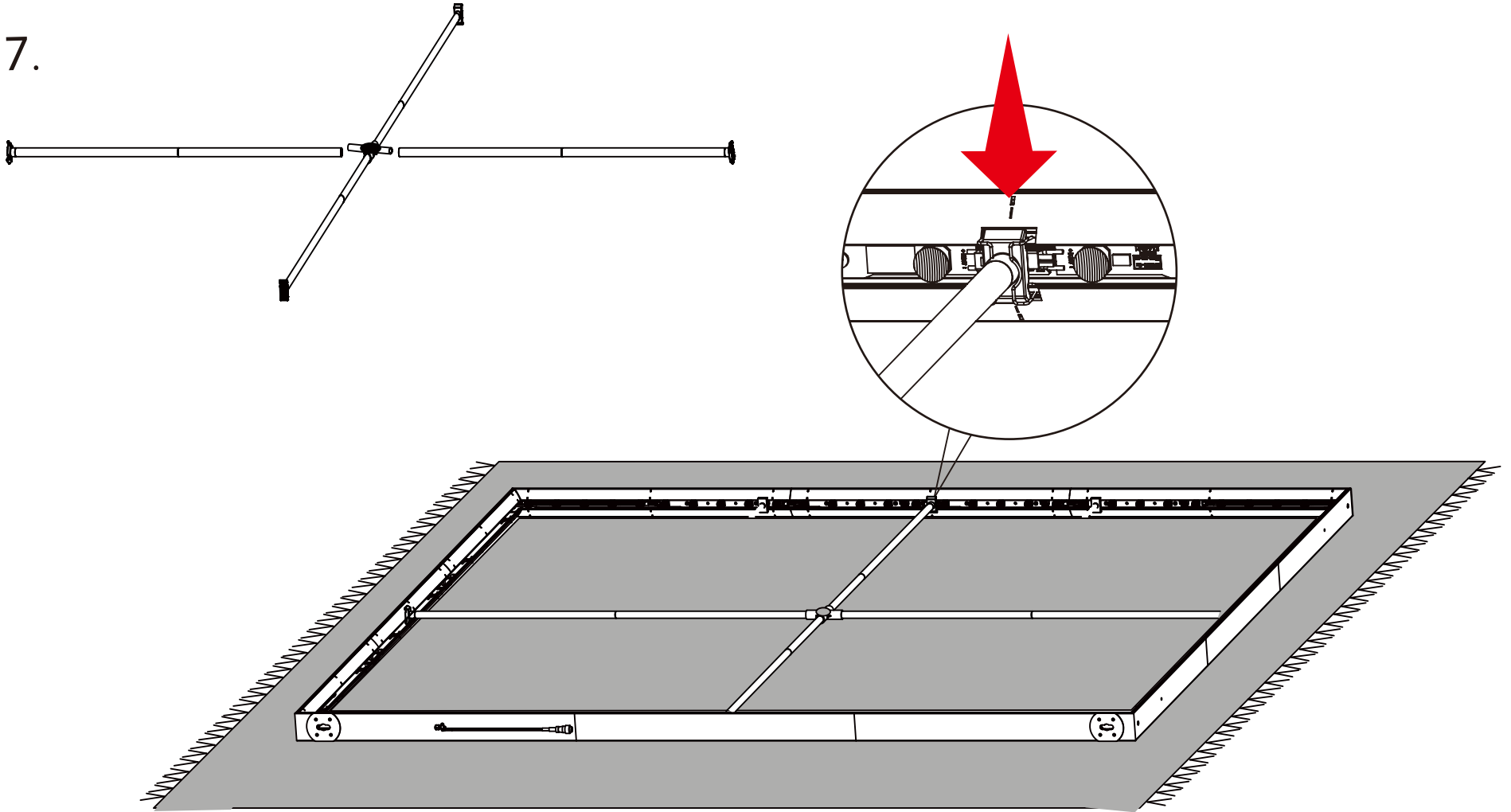


Routing

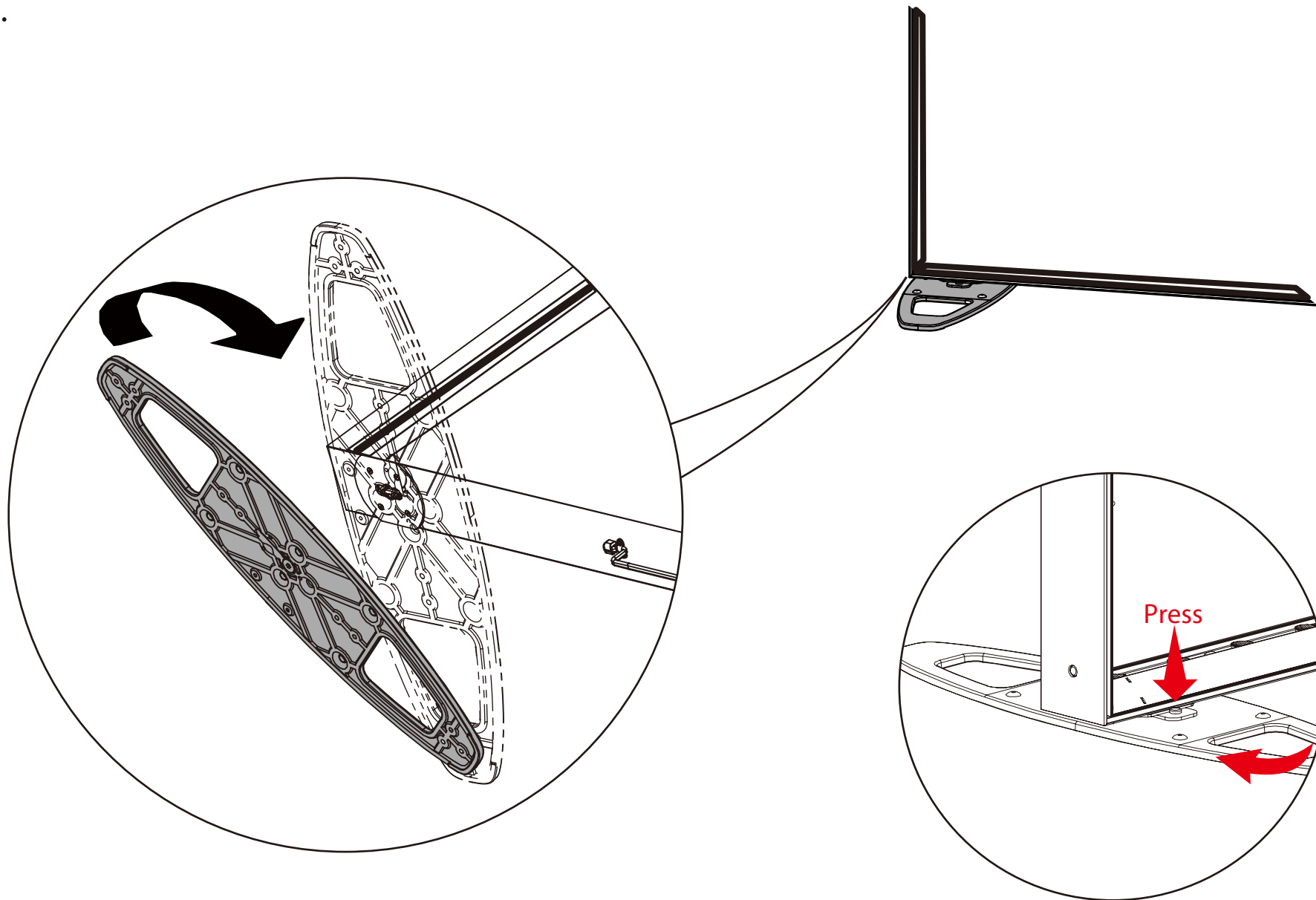


Mounting support poles

7.

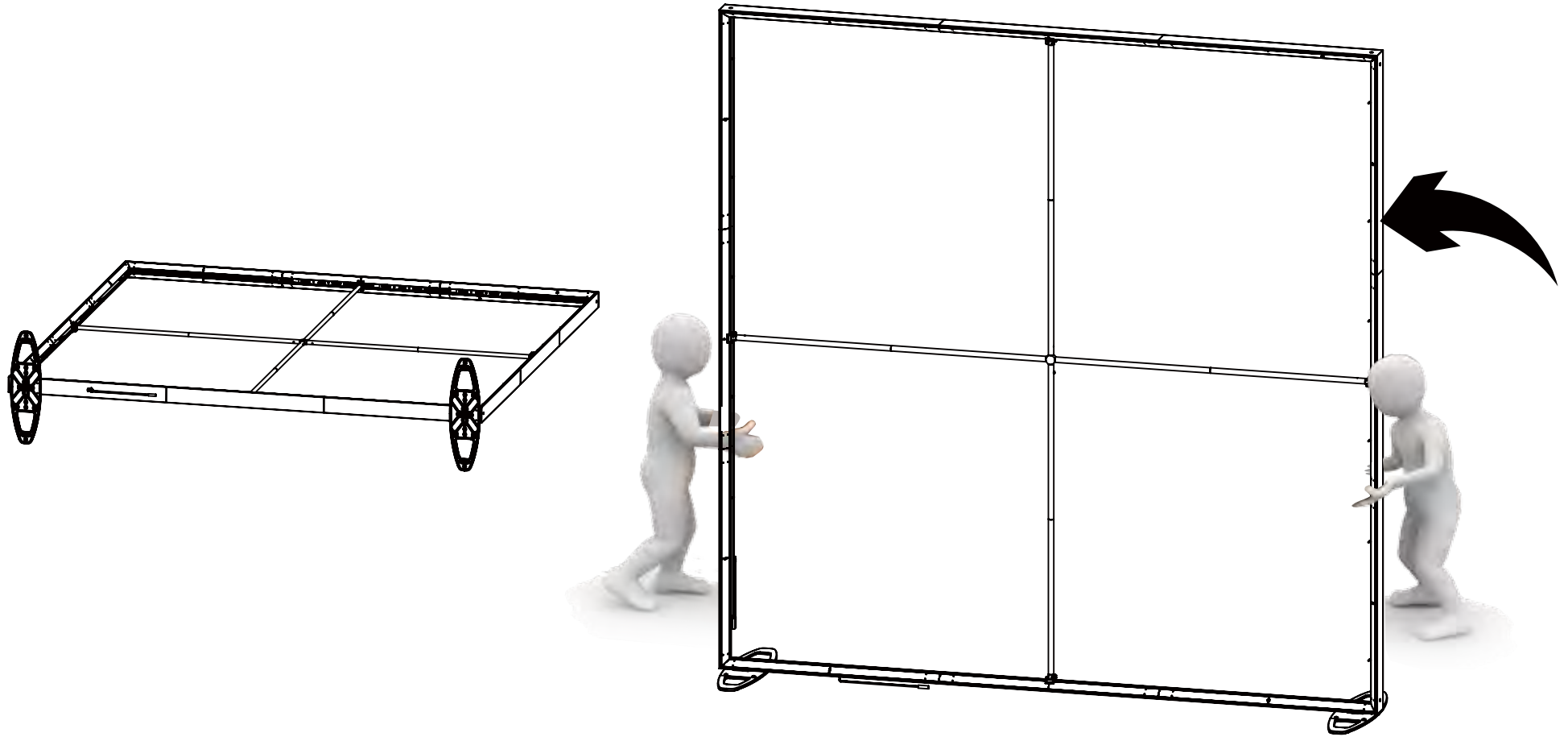


8.



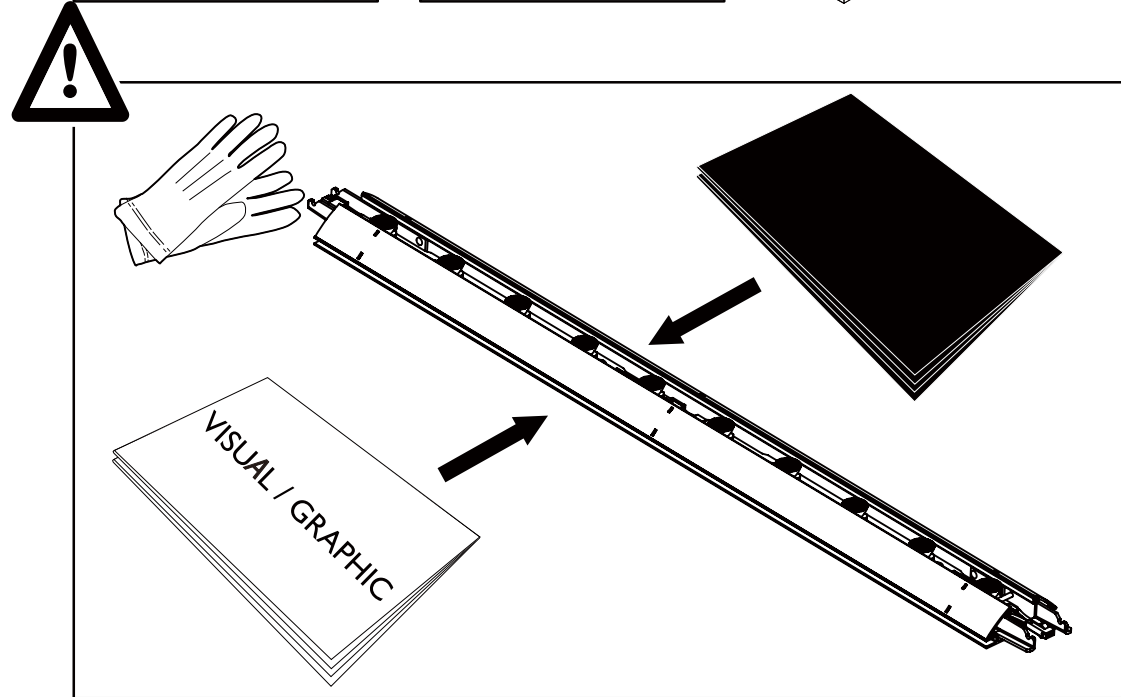
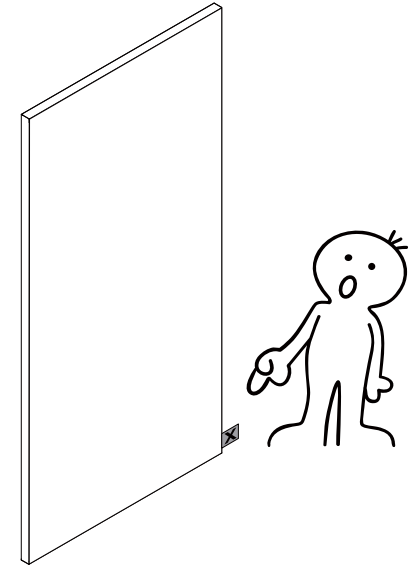
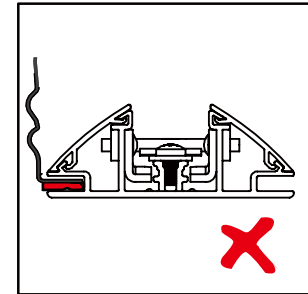
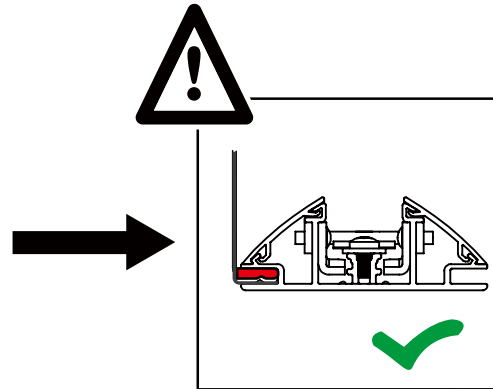
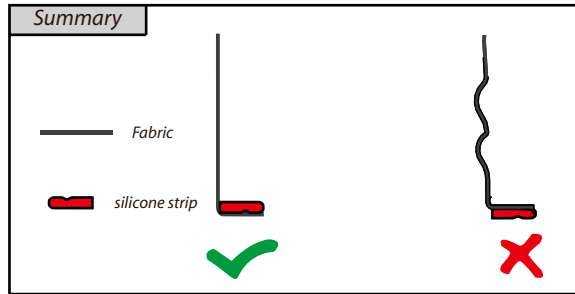
Raise the frame up

9.



Fabric instructions

10.



11.

