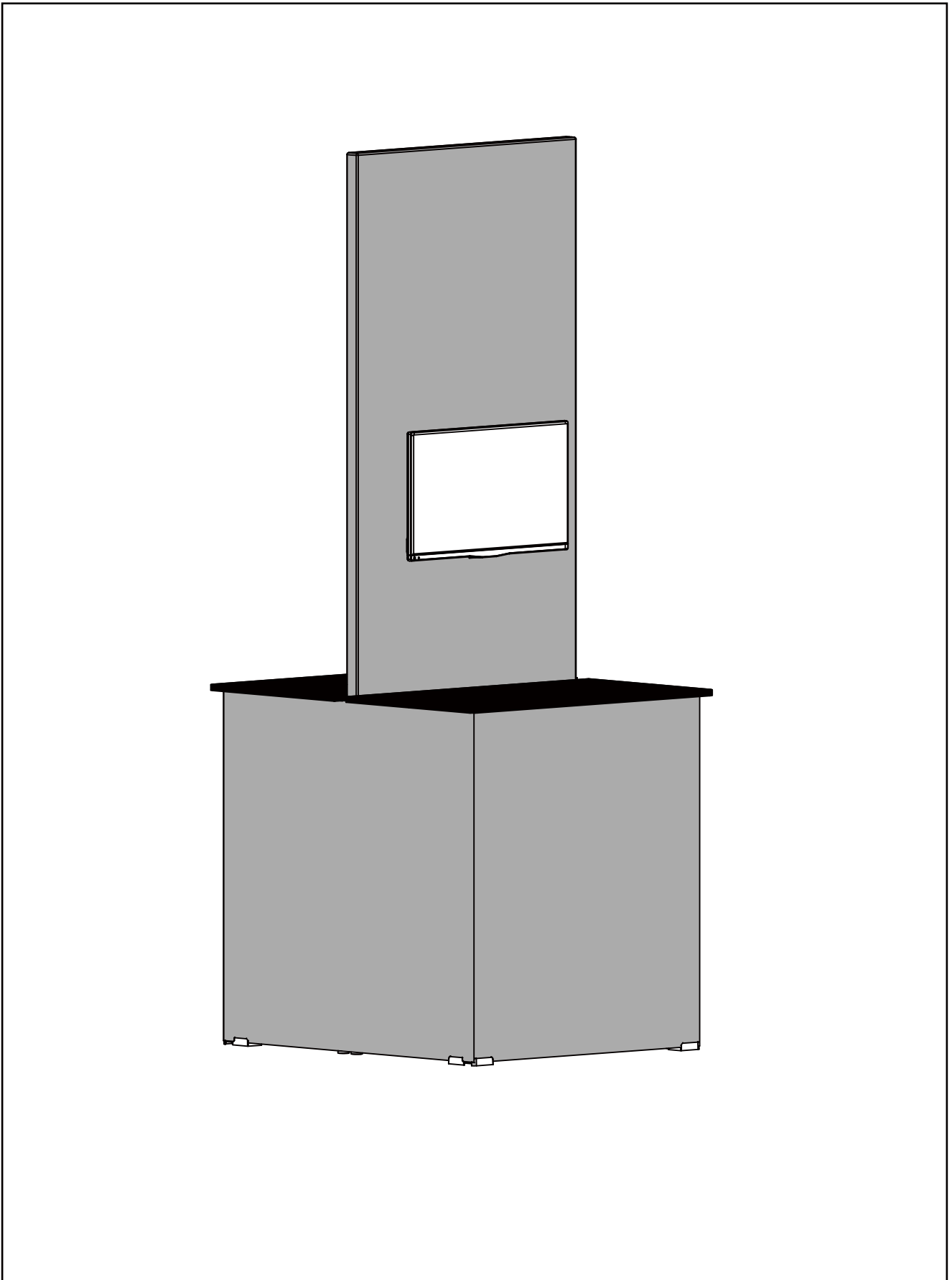
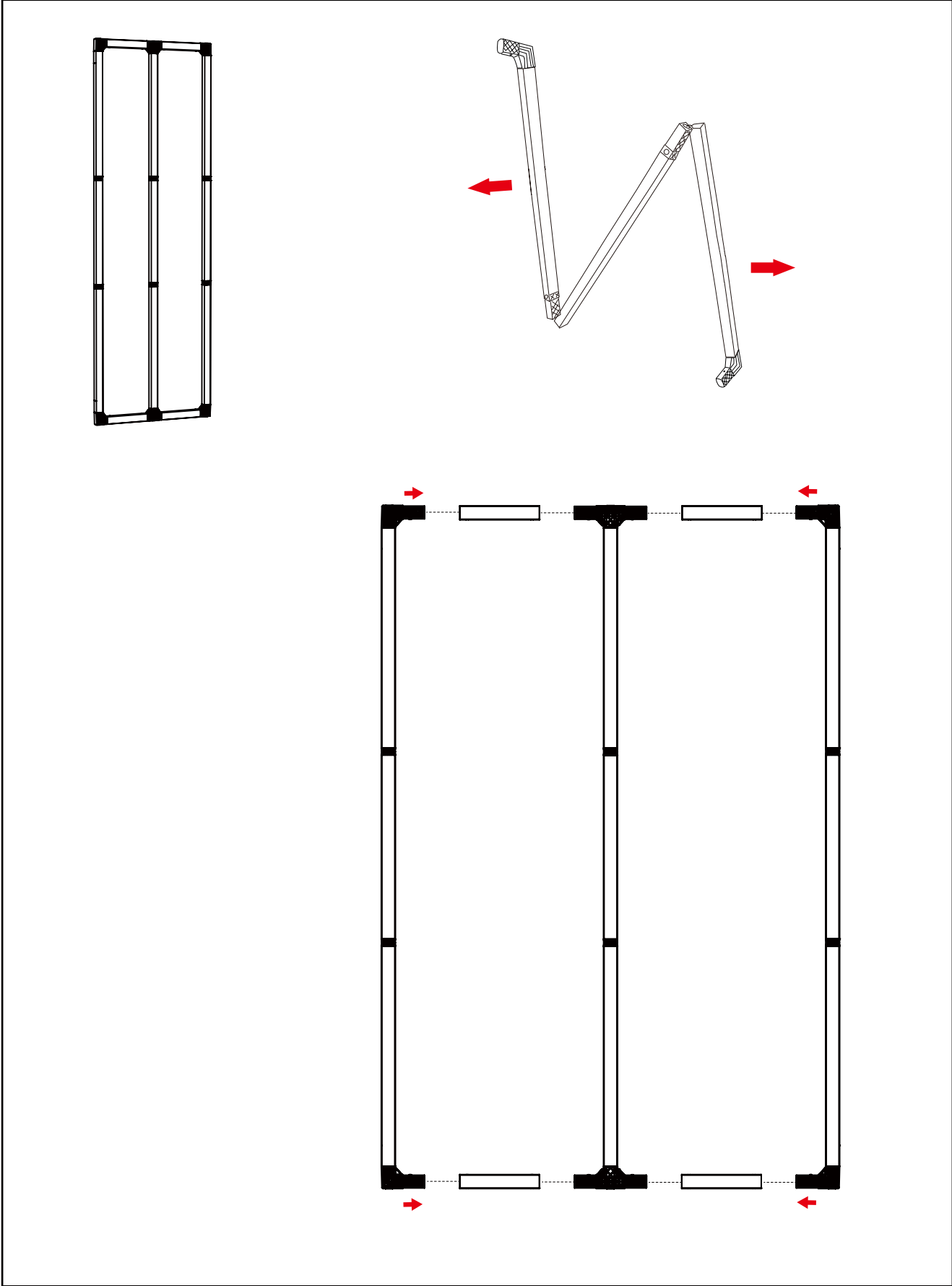


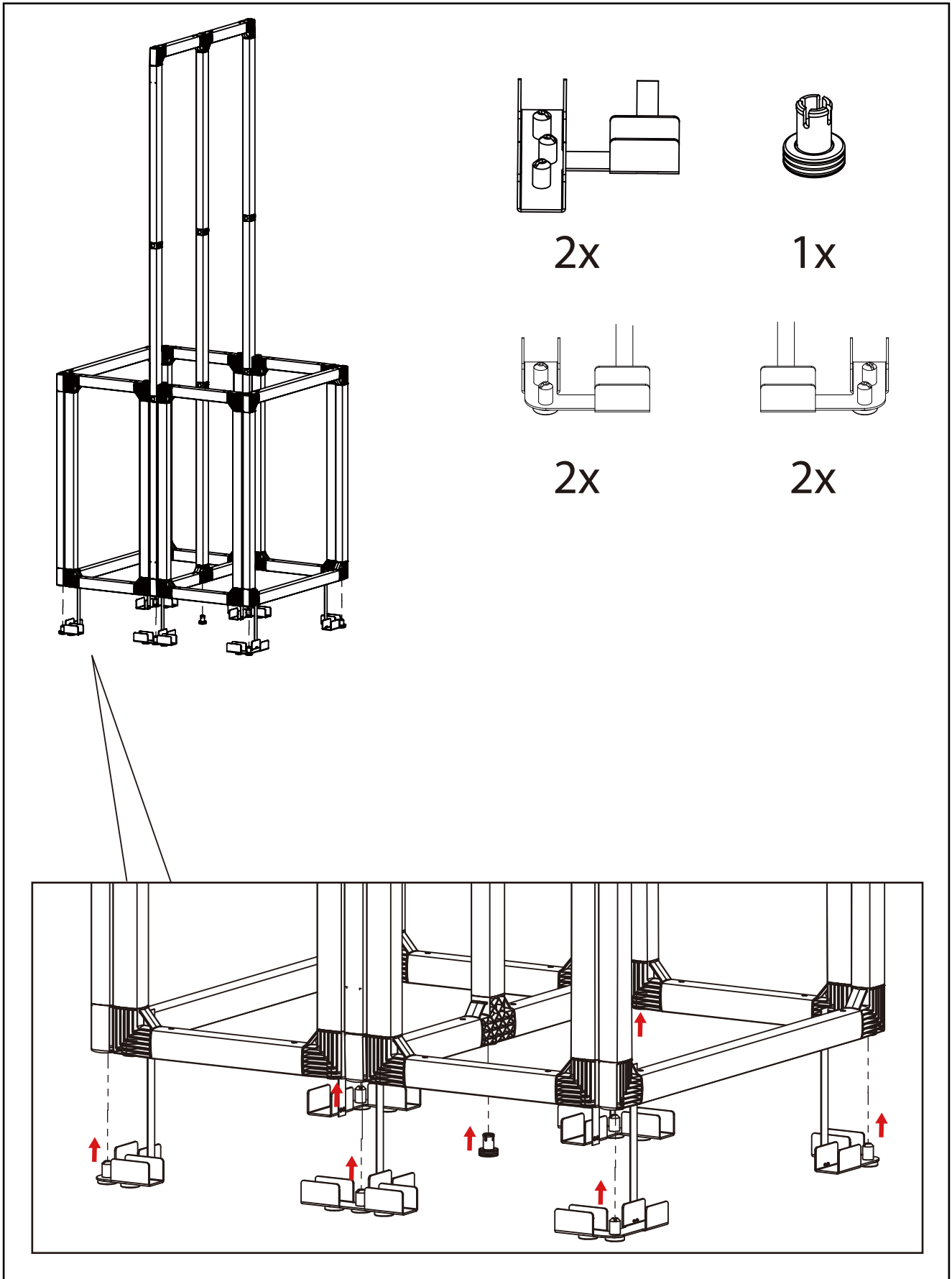
Expand GrandFabric Double-sided Demo pod with monitors Set-up instruction



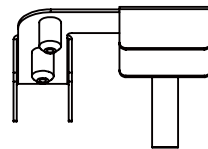
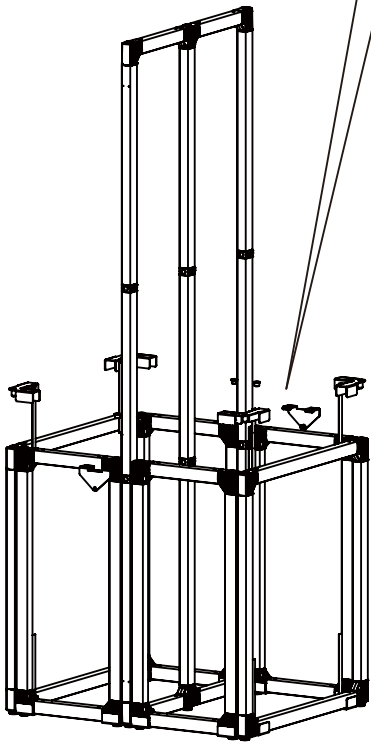
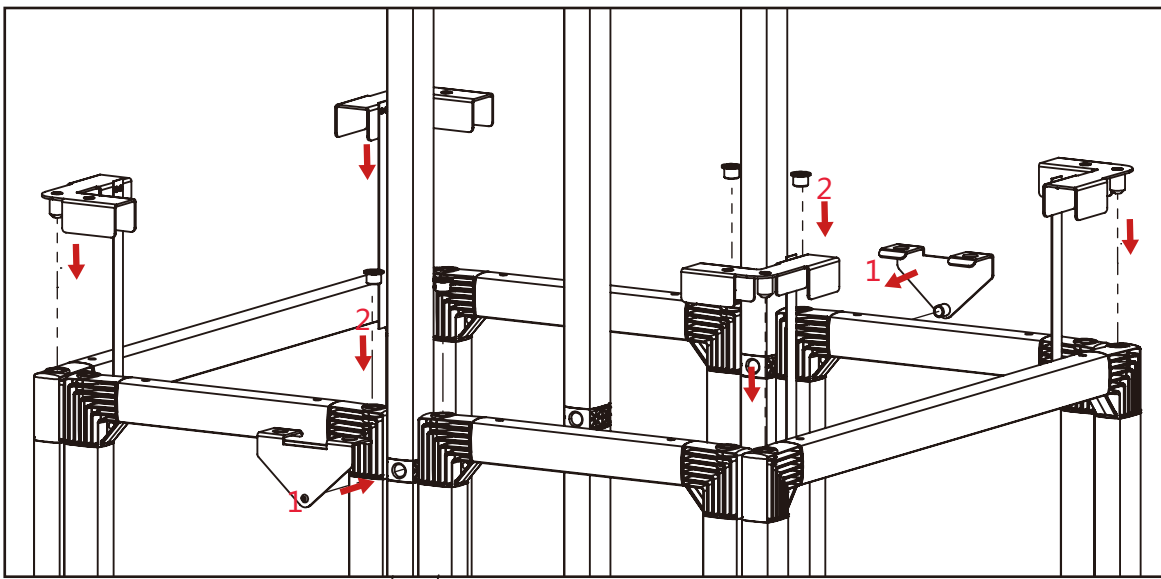
Backside Frame



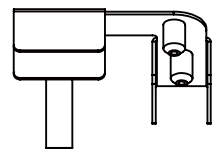
Bottom side Frame with bracket



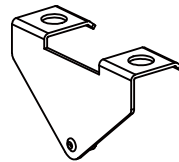
Top side Frame with bracket



1x



1x

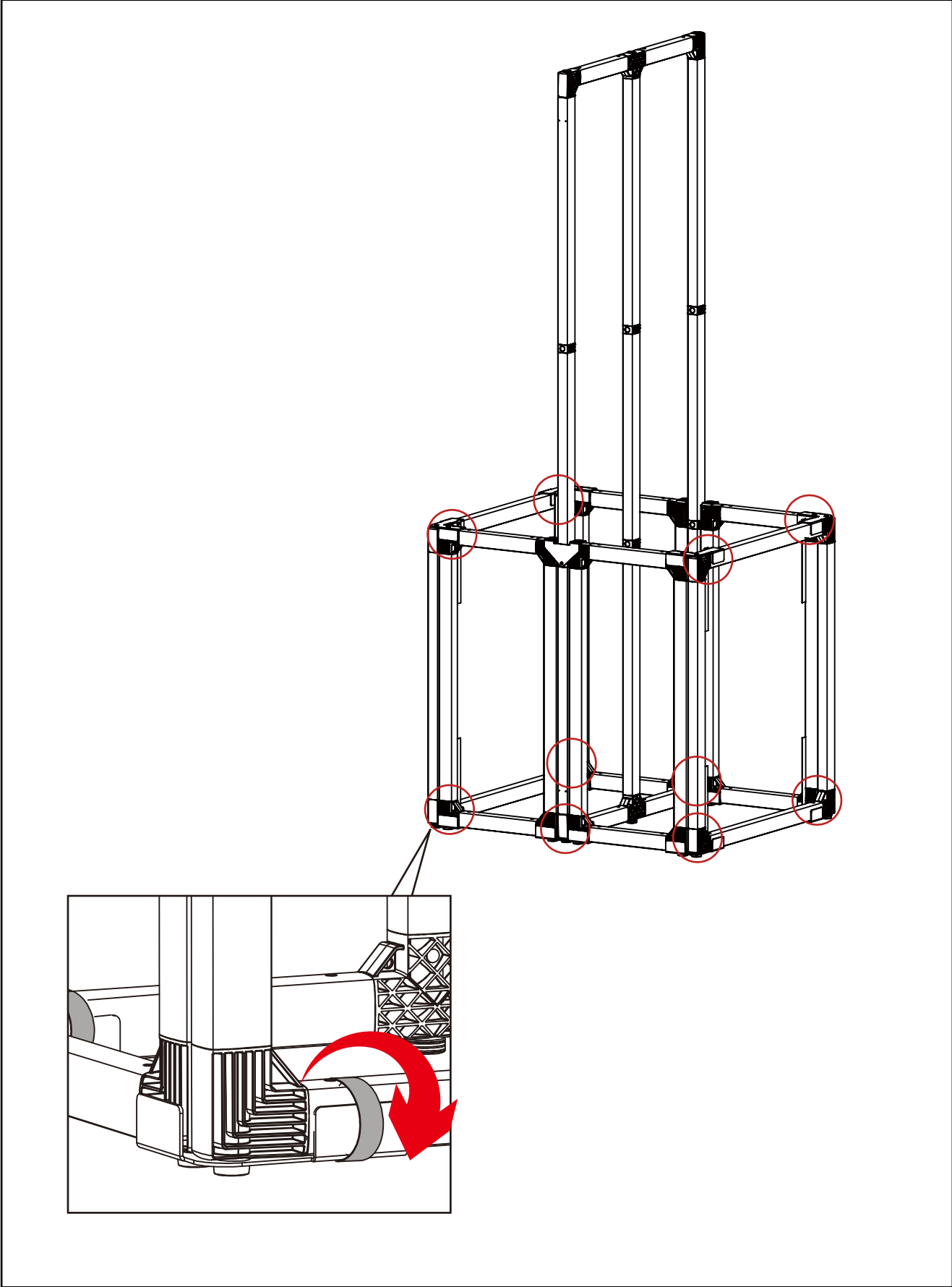


2x

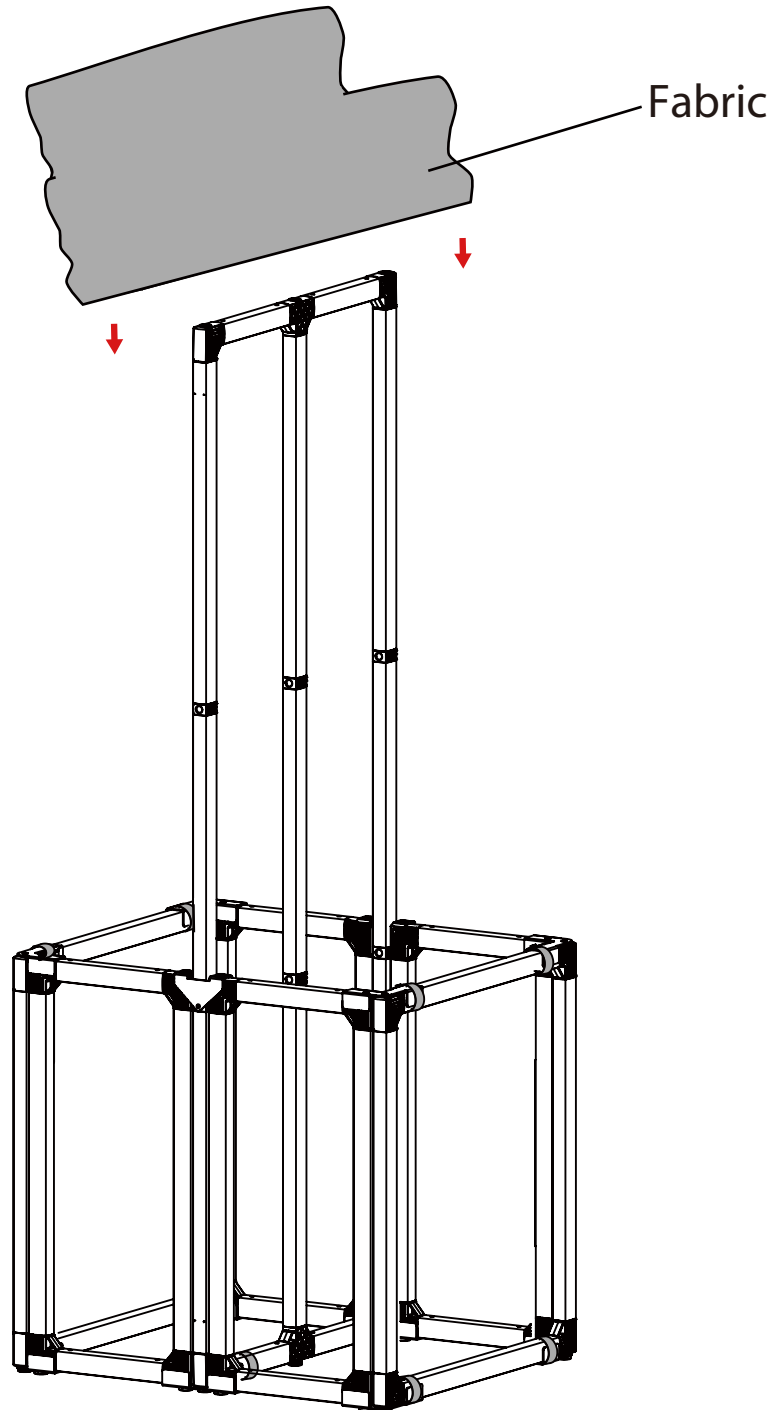


4x

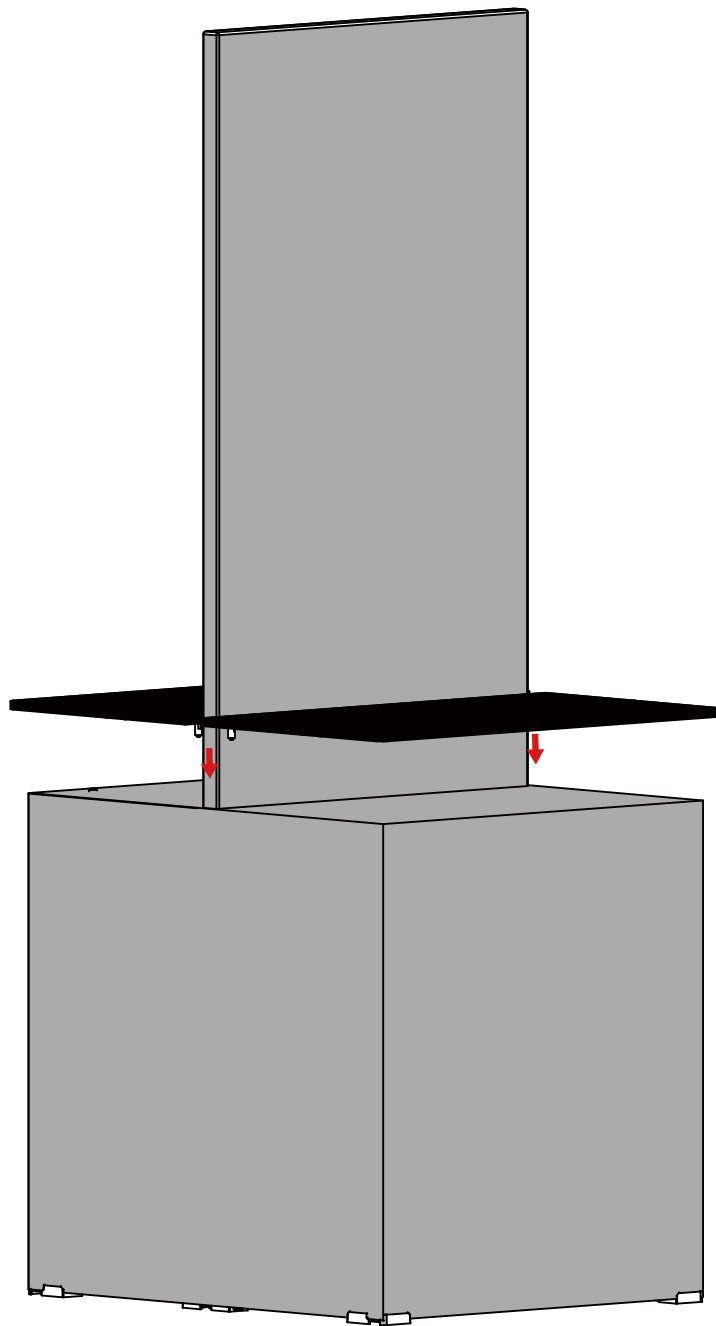
Fasten the Velcro



Pull on the Fabric



Mounting Table top



Mounting Monitors

Monitor maximum weight: 5 kg

4x 4x 4x 4x

click

2x

Warning

①

②

Double-sided monitors

The diagram illustrates the mounting process. At the top left, the back of a monitor is shown with a mounting bracket being attached. A screwdriver is shown tightening a screw. To the right, a list of hardware is shown: four screws of different lengths and four washers, each labeled '4x'. Below this, a close-up shows a mounting bracket being inserted into a hole in a wall, with a 'click' sound indicated. The quantity '2x' is noted. A 'Warning' section shows two circular diagrams: the top one shows a bracket being inserted incorrectly (marked with a red 'X'), and the bottom one shows it being inserted correctly (marked with a green checkmark). To the right, a circular diagram shows a 'Double-sided monitor' being mounted. At the bottom left, a photograph shows a monitor being attached to a wall, with a red arrow pointing to the mounting bracket. The steps are numbered ① and ②.